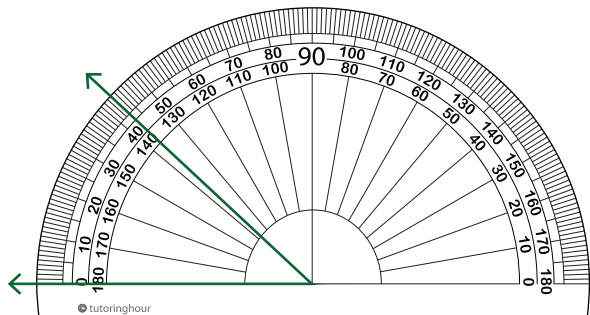


Reading a Protractor

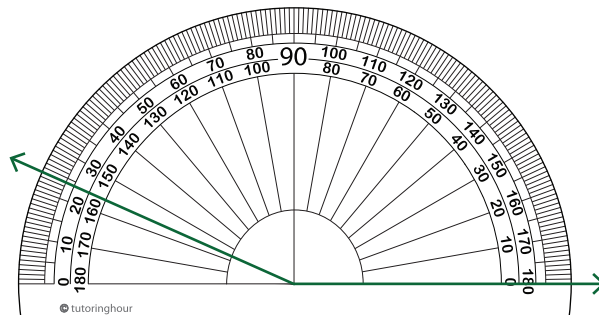
Read the protractor and measure each angle.

1)



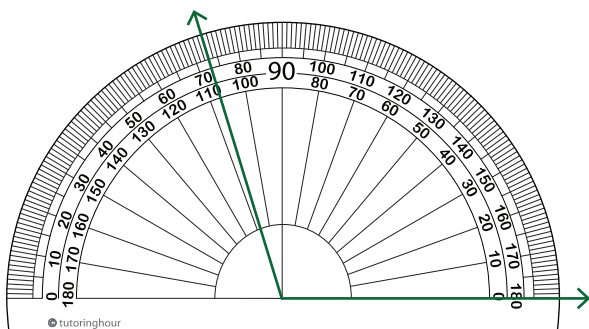
Angle: _____

2)



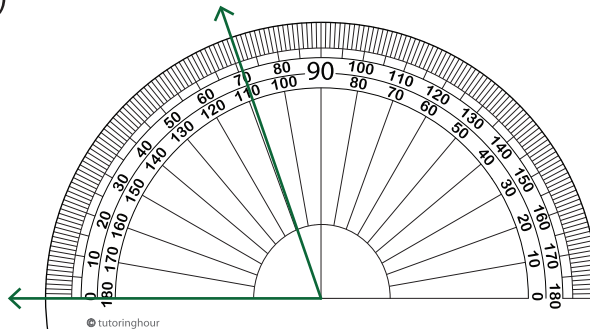
Angle: _____

3)



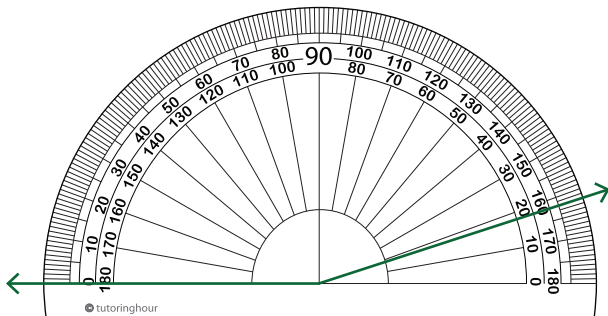
Angle: _____

4)



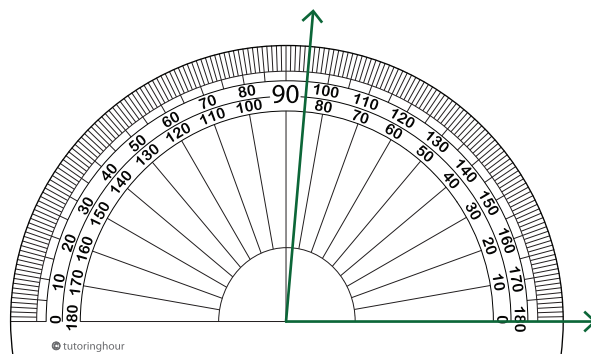
Angle: _____

5)



Angle: _____

6)



Angle: _____