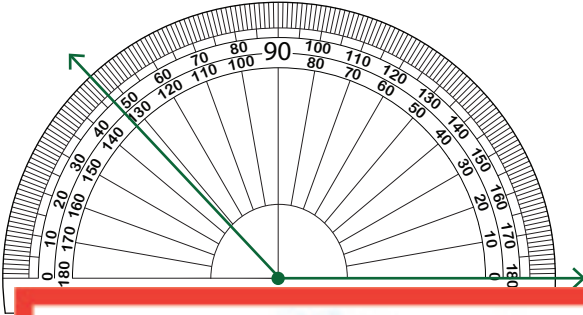


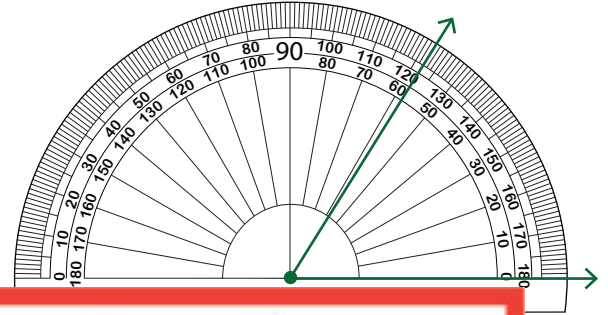
Reading a Protractor | 1° Increments

Read each protractor and write the measure of the angle.

1)



2)




3)

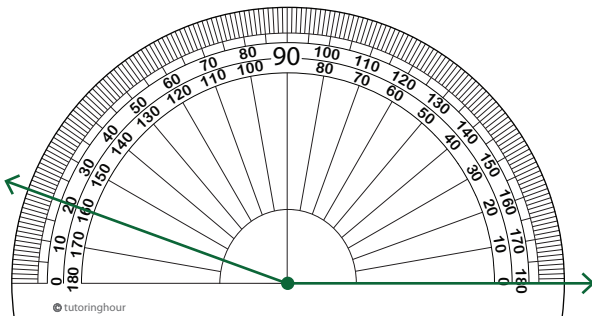
Preview

Become a member to unlock
unrestricted access to both printable
and online worksheets.

www.tutoringhour.com



5)



6)

