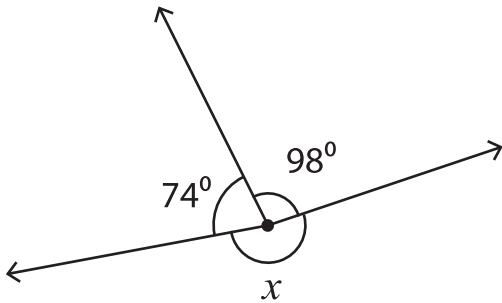


Angles around a Point

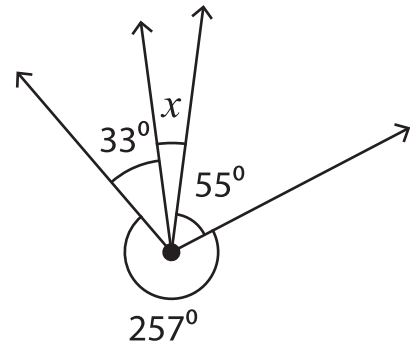
Find the unknown angle.

1)



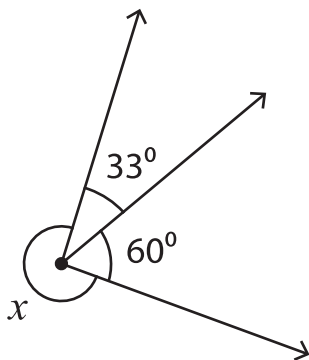
$$x = \underline{\hspace{2cm}}$$

2)



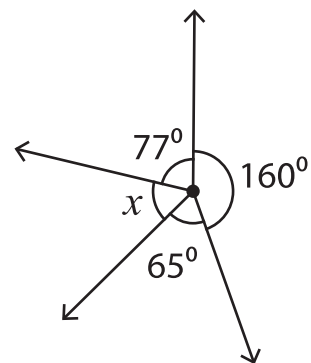
$$x = \underline{\hspace{2cm}}$$

3)



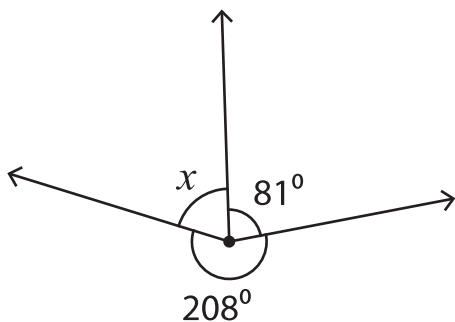
$$x = \underline{\hspace{2cm}}$$

4)



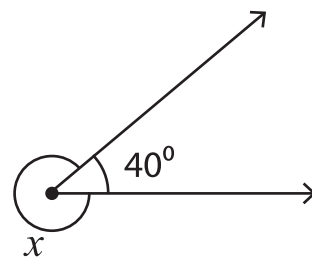
$$x = \underline{\hspace{2cm}}$$

5)



$$x = \underline{\hspace{2cm}}$$

6)



$$x = \underline{\hspace{2cm}}$$