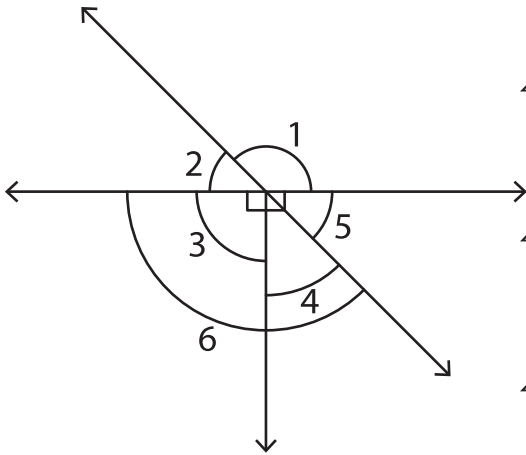


Pairs of Angles

State the relationship between each angle pair.

1)



$\angle 1$ and $\angle 2$ are _____

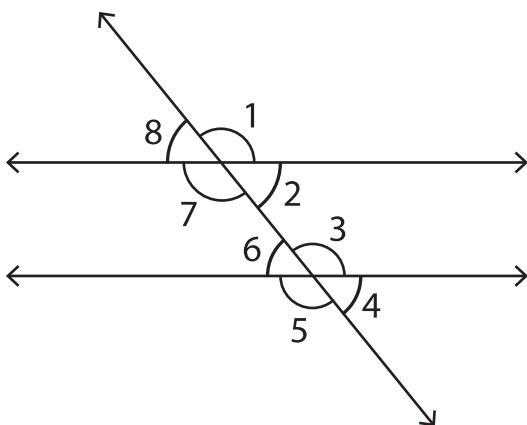
$\angle 2$ and $\angle 5$ are _____

$\angle 4$ and $\angle 5$ are _____

$\angle 1$ and $\angle 6$ are _____

$\angle 3$ and $\angle 4$ are _____

2)



$\angle 2$ and $\angle 4$ are _____

$\angle 3$ and $\angle 7$ are _____

$\angle 6$ and $\angle 3$ are _____

$\angle 5$ and $\angle 8$ are _____

$\angle 8$ and $\angle 2$ are _____
