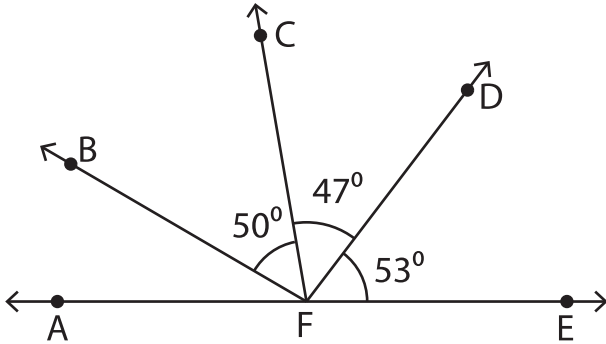


Angles on a Straight Line

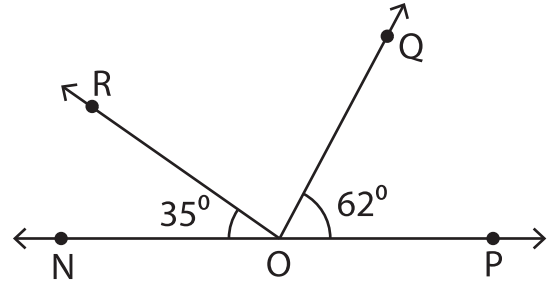
Find the measure of each indicated angle.

1)



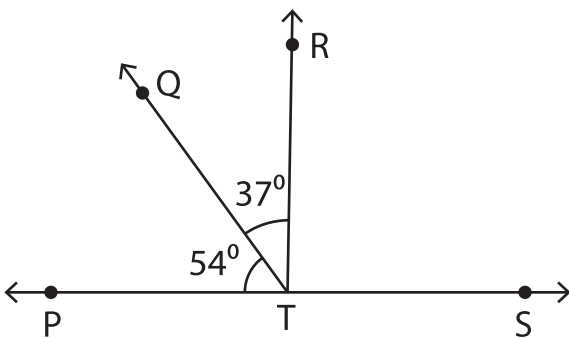
$$m\angle AFB = \underline{\hspace{2cm}}$$

2)



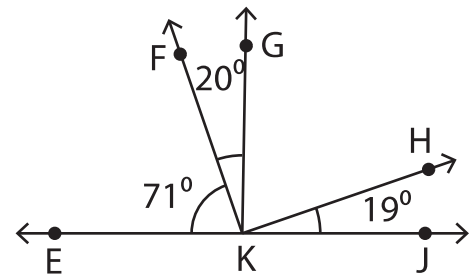
$$m\angle QOR = \underline{\hspace{2cm}}$$

3)



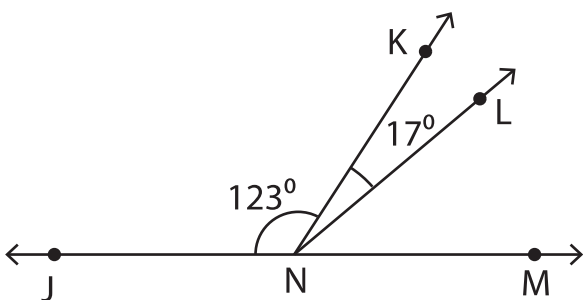
$$m\angle RTS = \underline{\hspace{2cm}}$$

4)



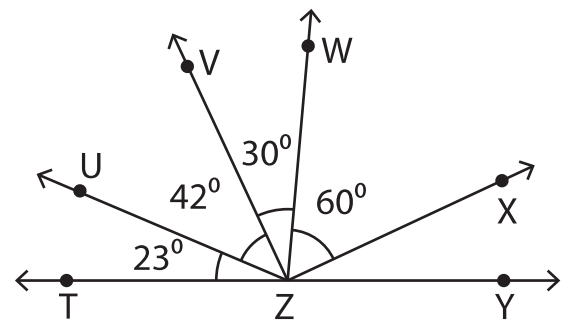
$$m\angle HKG = \underline{\hspace{2cm}}$$

5)



$$m\angle LNM = \underline{\hspace{2cm}}$$

6)



$$m\angle XZY = \underline{\hspace{2cm}}$$