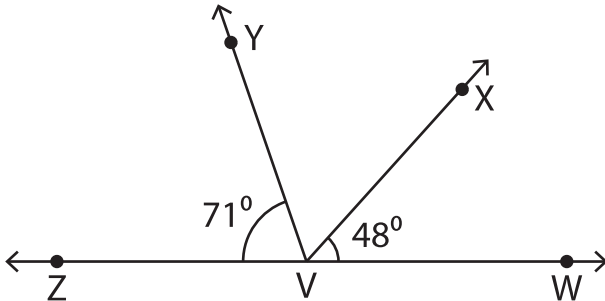


Angles on a Straight Line

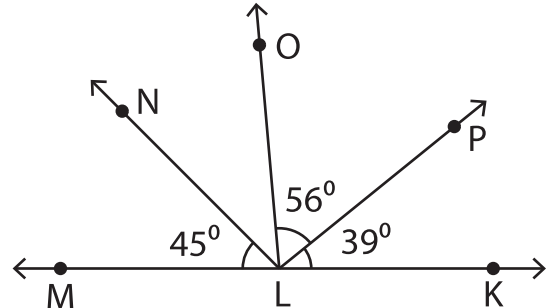
Find the measure of each indicated angle.

1)



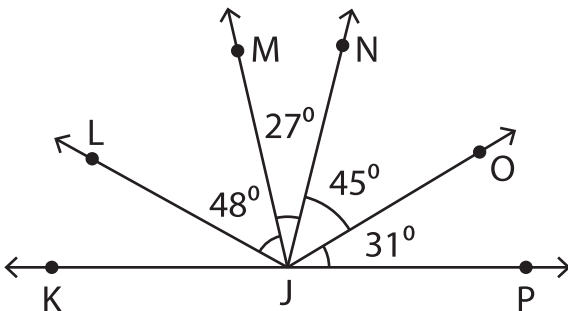
$$m\angle XVY = \underline{\hspace{2cm}}$$

2)



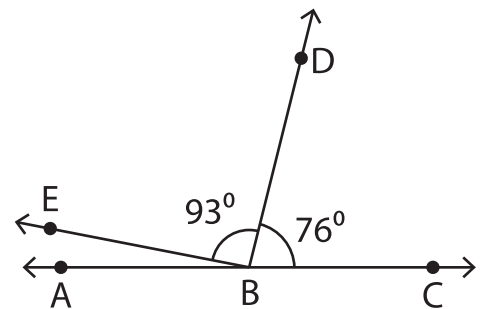
$$m\angle NLO = \underline{\hspace{2cm}}$$

3)



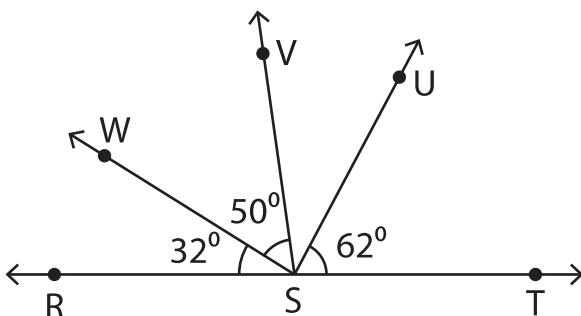
$$m\angle LJK = \underline{\hspace{2cm}}$$

4)



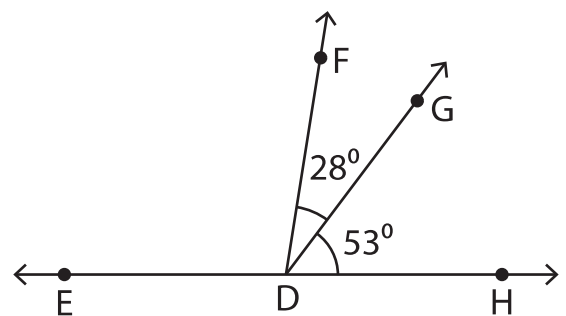
$$m\angle ABE = \underline{\hspace{2cm}}$$

5)



$$m\angle USV = \underline{\hspace{2cm}}$$

6)



$$m\angle EDF = \underline{\hspace{2cm}}$$