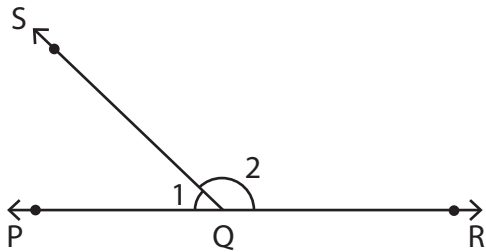


Parts of an Angle

Write the vertex and arms of the indicated angles.

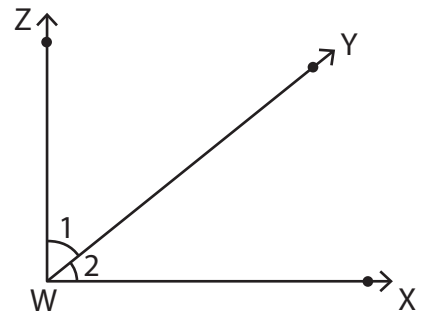
1)



Vertex of $\angle 1$: _____

Arms of $\angle 2$: _____

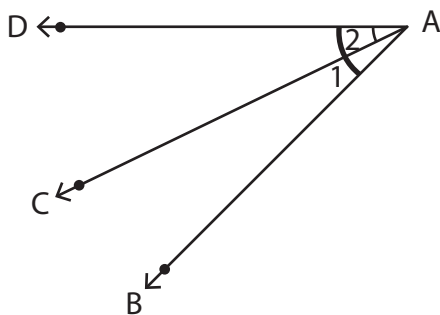
2)



Arms of $\angle 1$: _____

Vertex of $\angle 2$: _____

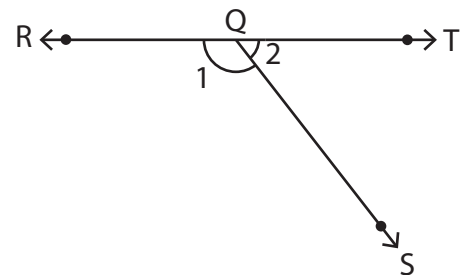
3)



Arms of $\angle 1$: _____

Vertex of $\angle 2$: _____

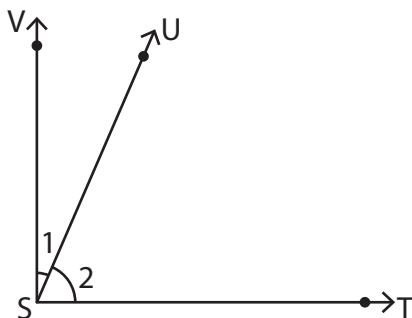
4)



Vertex of $\angle 1$: _____

Arms of $\angle 2$: _____

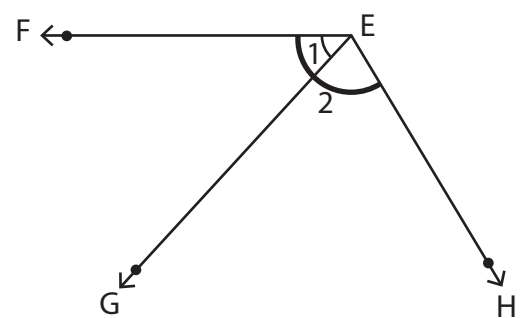
5)



Vertex of $\angle 1$: _____

Arms of $\angle 2$: _____

6)



Arms of $\angle 1$: _____

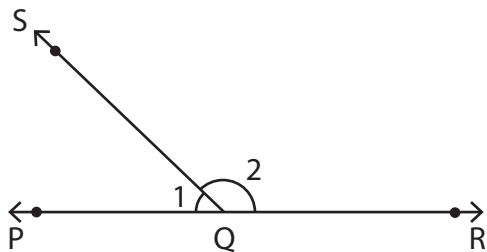
Vertex of $\angle 2$: _____

Parts of an Angle

Answer key

Write the vertex and arms of the indicated angles.

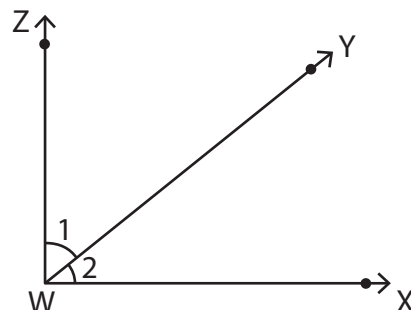
1)



Vertex of $\angle 1$: **Q**

Arms of $\angle 2$: **$\overrightarrow{QR}, \overrightarrow{QS}$**

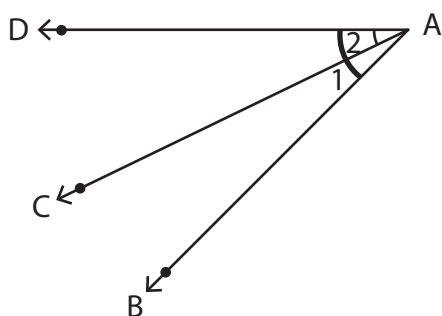
2)



Arms of $\angle 1$: **$\overrightarrow{WZ}, \overrightarrow{WY}$**

Vertex of $\angle 2$: **W**

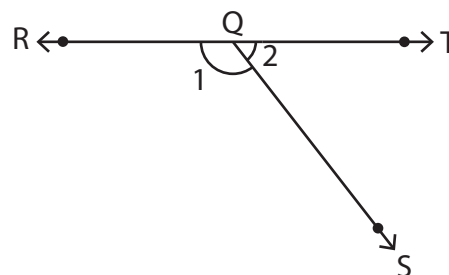
3)



Arms of $\angle 1$: **$\overrightarrow{AD}, \overrightarrow{AB}$**

Vertex of $\angle 2$: **A**

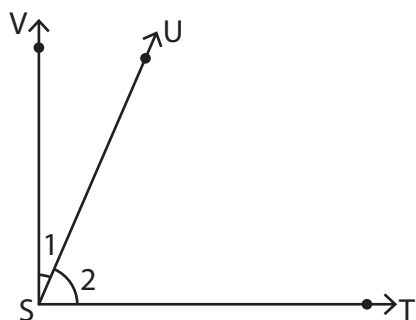
4)



Vertex of $\angle 1$: **Q**

Arms of $\angle 2$: **$\overrightarrow{QS}, \overrightarrow{QT}$**

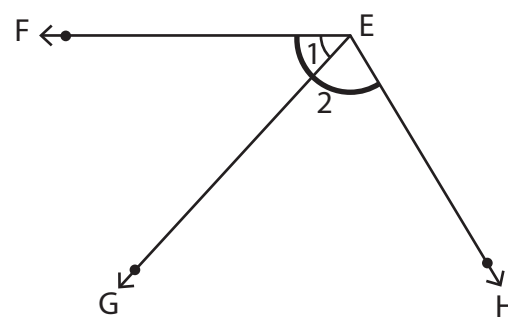
5)



Vertex of $\angle 1$: **S**

Arms of $\angle 2$: **$\overrightarrow{ST}, \overrightarrow{SU}$**

6)



Arms of $\angle 1$: **$\overrightarrow{EG}, \overrightarrow{EF}$**

Vertex of $\angle 2$: **E**