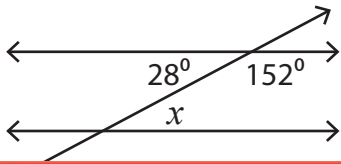


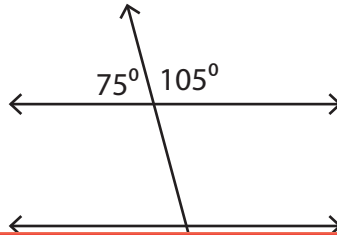
Alternate Angles in Parallel Lines

Find the value of x in each figure below where two parallel lines are cut by a transversal.

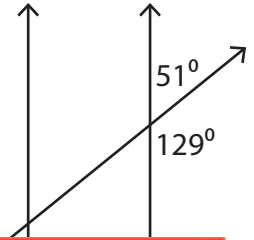
1)



2)



3)



Preview

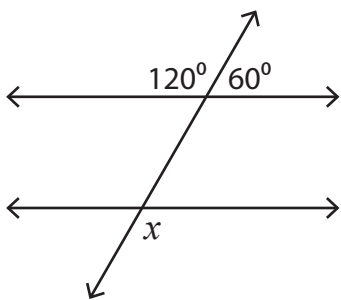
4)

Become a member to unlock
unrestricted access to both printable
and online worksheets.



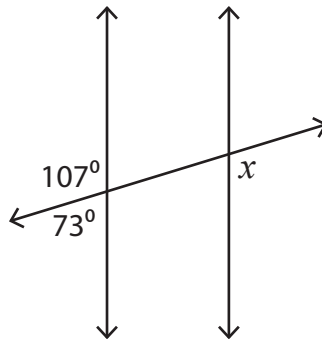
www.tutoringhour.com

7)



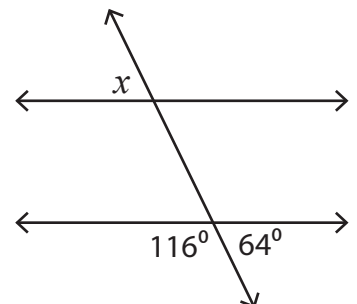
$x =$ _____

8)



$x =$ _____

9)



$x =$ _____