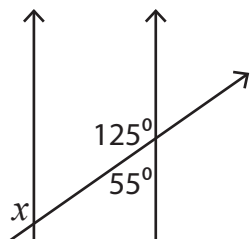


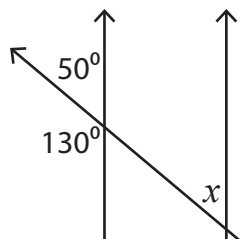
# Corresponding Angles

Find the value of  $x$  in each figure below where two parallel lines are cut by a transversal.

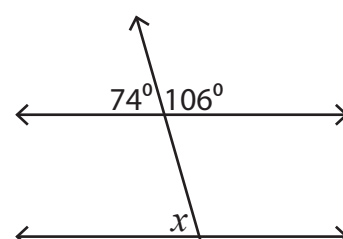
1)



2)



3)



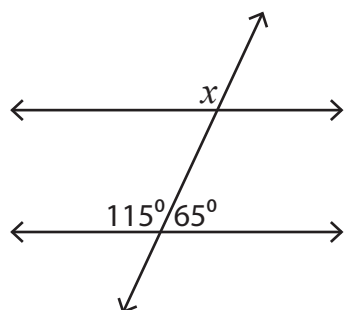
4)

**Become a member to unlock  
unrestricted access to both printable  
and online worksheets.**



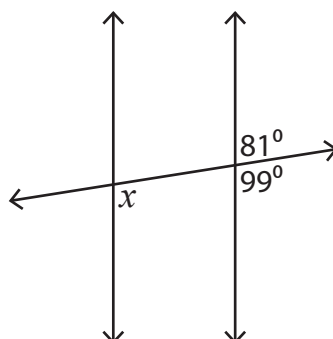
[www.tutoringhour.com](http://www.tutoringhour.com)

7)



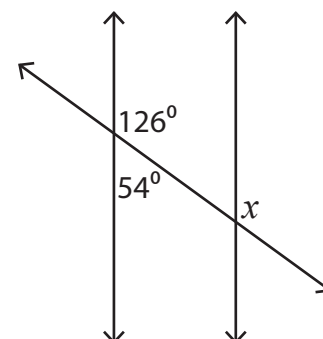
$x =$  \_\_\_\_\_

8)



$x =$  \_\_\_\_\_

9)



$x =$  \_\_\_\_\_