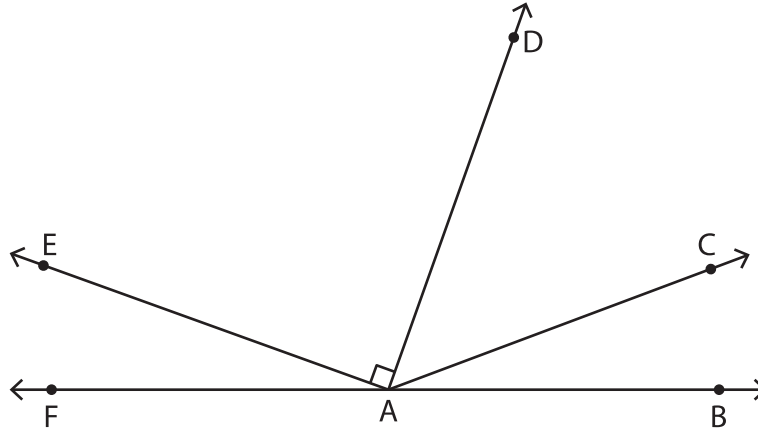


Types of Angles

Identify each indicated angle as an acute, right, obtuse or straight angle.

1)



a) $\angle BAD$: _____

d) $\angle BAF$: _____

b) $\angle DAE$: _____

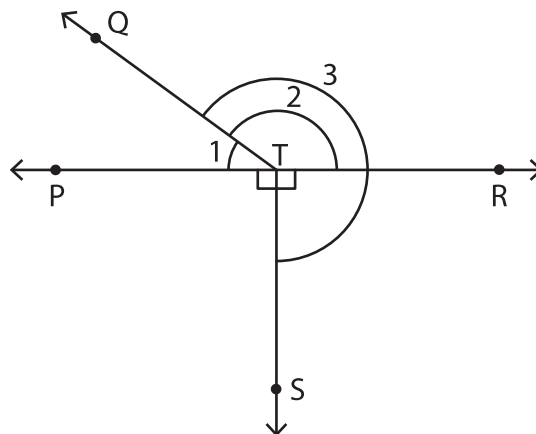
e) $\angle DAF$: _____

c) $\angle BAE$: _____

f) $\angle EAF$: _____

Identify the type of each indicated angle.

2)



a) $\angle 1$: _____

d) $\angle 2$: _____

b) $\angle PTS$: _____

e) $\angle 3$: _____

c) $\angle PTR$: _____

f) $\angle RTS$: _____
