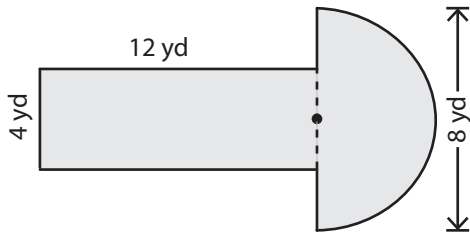


Area of Compound Figures

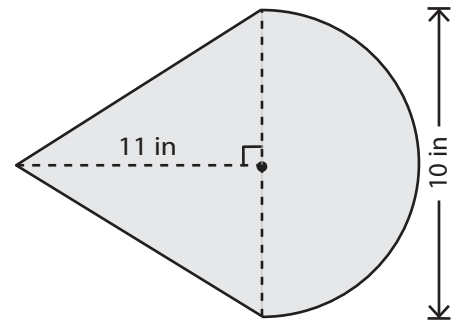
Find the area of the shaded region in each figure. Round your answer to two decimal places. (use $\pi = 3.14$)

1)



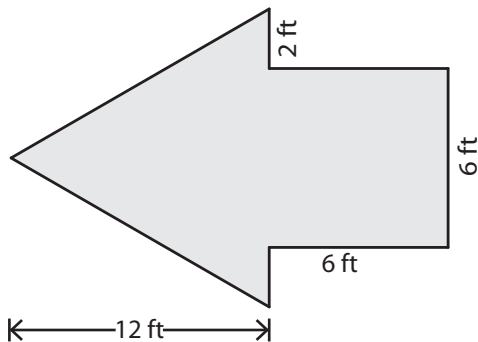
Area = _____

2)



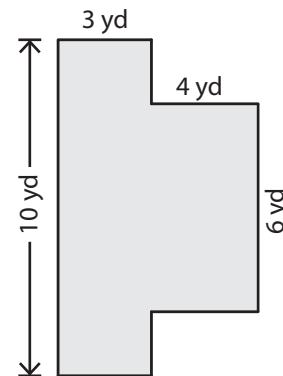
Area = _____

3)



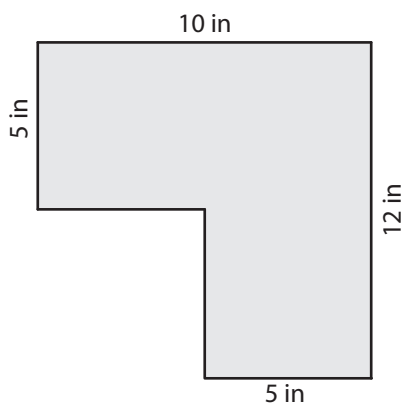
Area = _____

4)



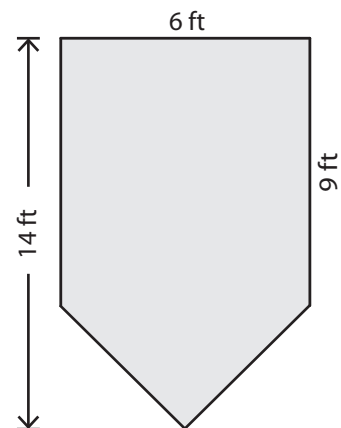
Area = _____

5)



Area = _____

6)



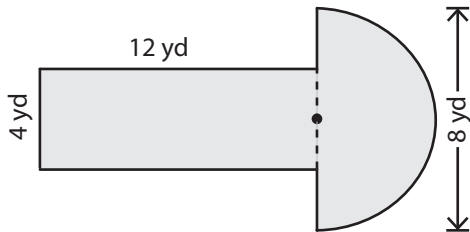
Area = _____

Area of Compound Figures

Answer Key

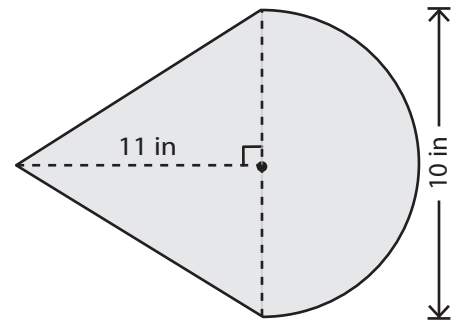
Find the area of the shaded region in each figure. Round your answer to two decimal places. (use $\pi = 3.14$)

1)



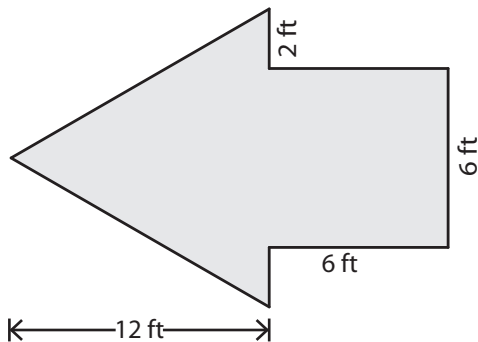
Area = 73.12 yd²

2)



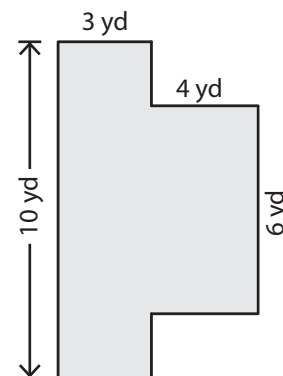
Area = 94.25 in²

3)



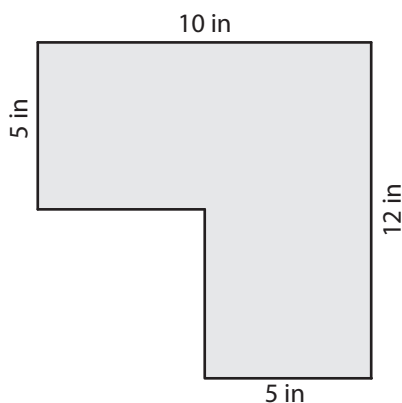
Area = 96 ft²

4)



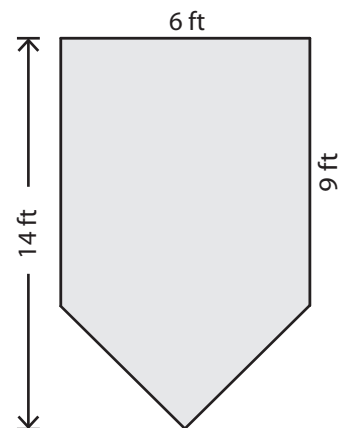
Area = 54 yd²

5)



Area = 85 in²

6)



Area = 69 ft²