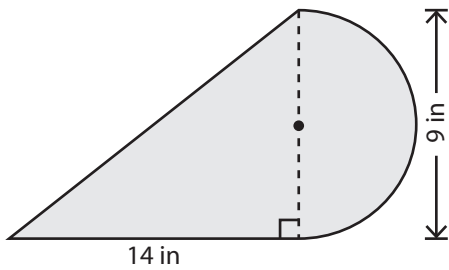


Area of Compound Figures

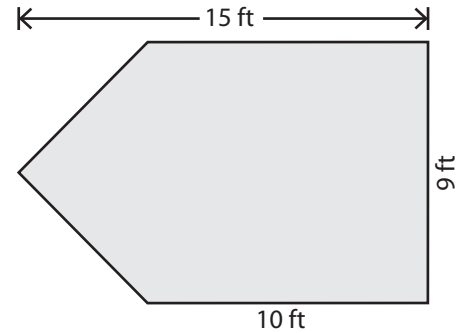
Find the area of the shaded region in each figure. Round your answer to two decimal places. (use $\pi = 3.14$)

1)



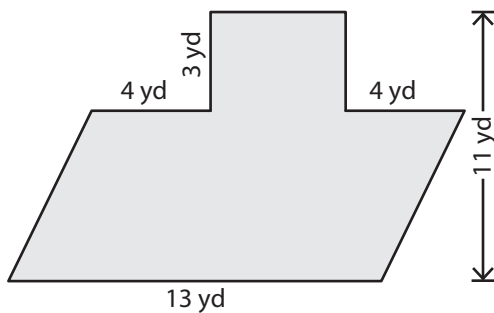
Area = _____

2)



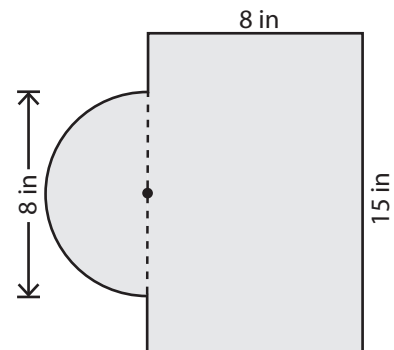
Area = _____

3)



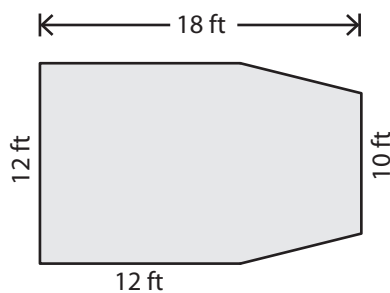
Area = _____

4)



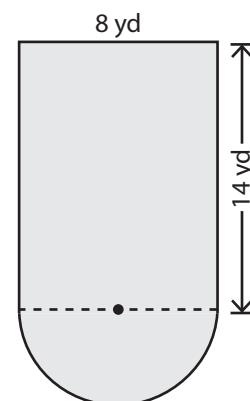
Area = _____

5)



Area = _____

6)



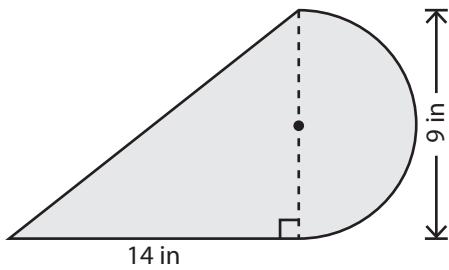
Area = _____

Area of Compound Figures

Answer Key

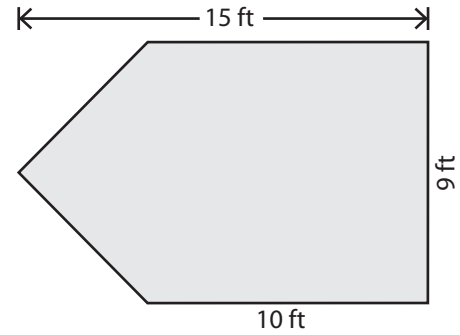
Find the area of the shaded region in each figure. Round your answer to two decimal places. (use $\pi = 3.14$)

1)



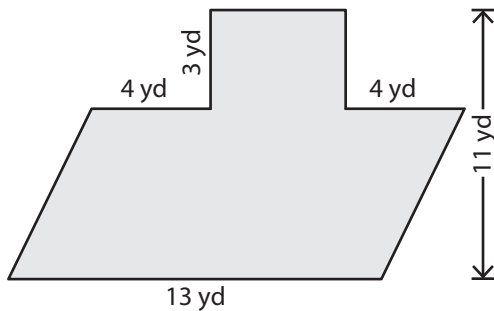
Area = 94.79 in²

2)



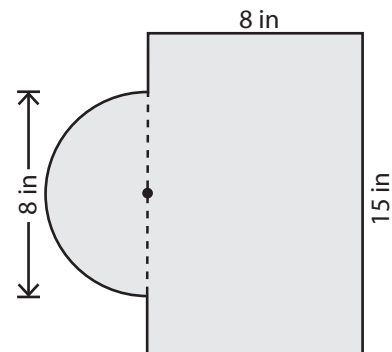
Area = 112.5 ft²

3)



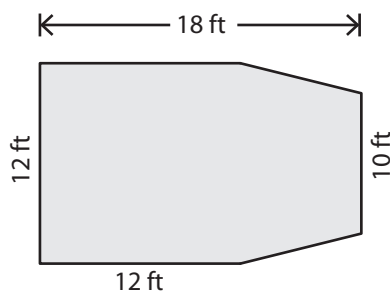
Area = 119 yd²

4)



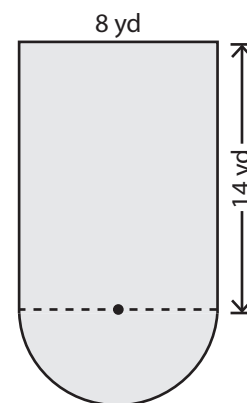
Area = 145.12 in²

5)



Area = 210 ft²

6)



Area = 137.12 yd²