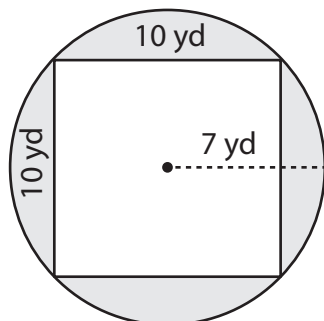


# Area of Compound Figures

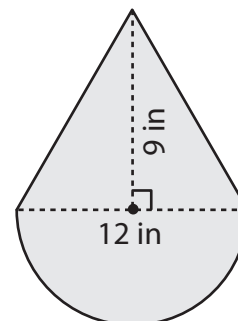
Find the area of the shaded region in each figure. (use  $\pi = 3.14$ )

1)



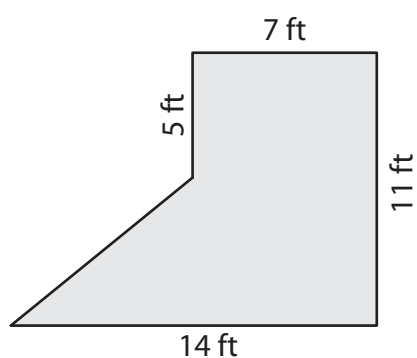
Area = \_\_\_\_\_

2)



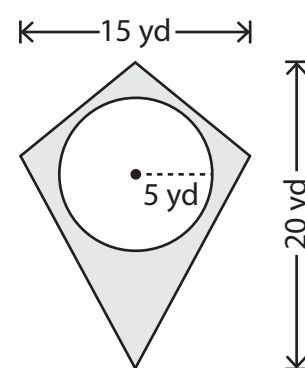
Area = \_\_\_\_\_

3)



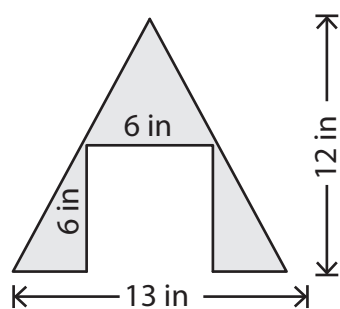
Area = \_\_\_\_\_

4)



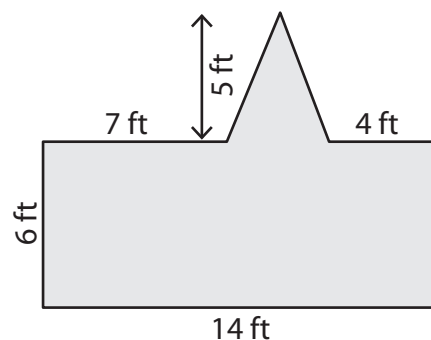
Area = \_\_\_\_\_

5)



Area = \_\_\_\_\_

6)



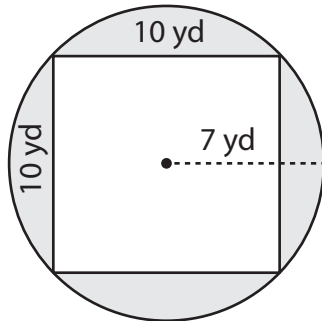
Area = \_\_\_\_\_

# Area of Compound Figures

Answer Key

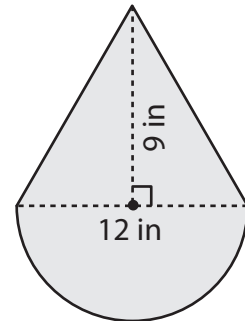
Find the area of the shaded region in each figure. (use  $\pi = 3.14$ )

1)



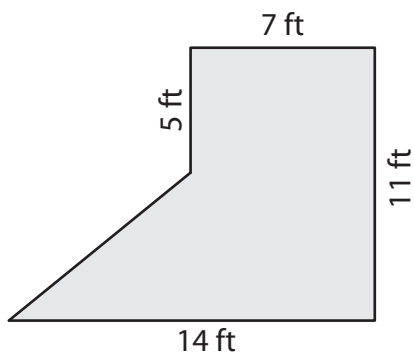
Area = 53.86 yd<sup>2</sup>

2)



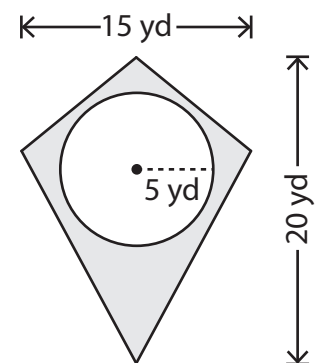
Area = 110.52 in<sup>2</sup>

3)



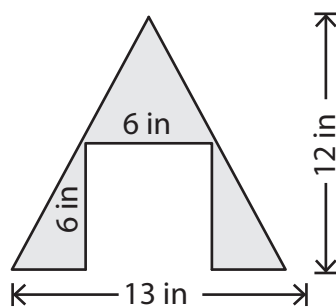
Area = 98 ft<sup>2</sup>

4)



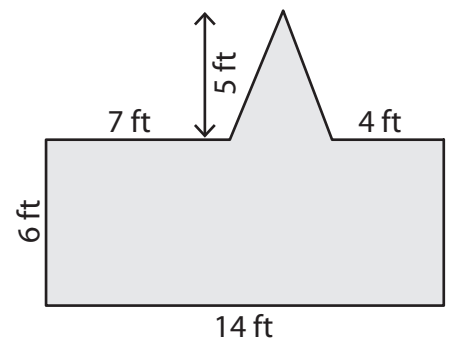
Area = 71.5 yd<sup>2</sup>

5)



Area = 42 in<sup>2</sup>

6)



Area = 91.5 ft<sup>2</sup>