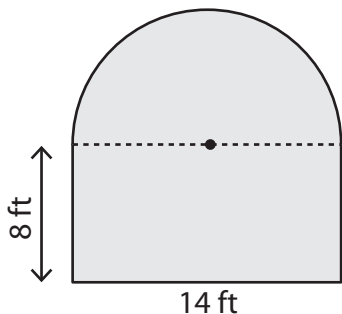


# Area of Compound Figures

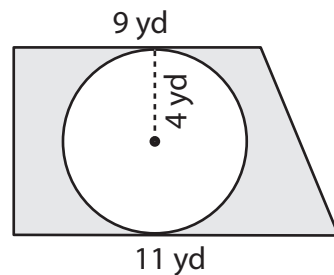
Find the area of the shaded region in each figure. (use  $\pi = 3.14$ )

1)



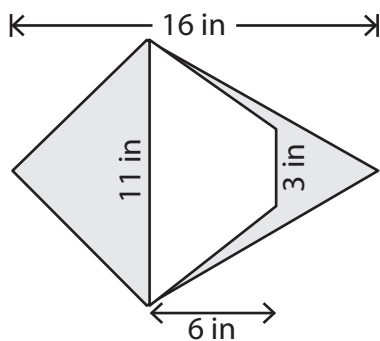
Area = \_\_\_\_\_

2)



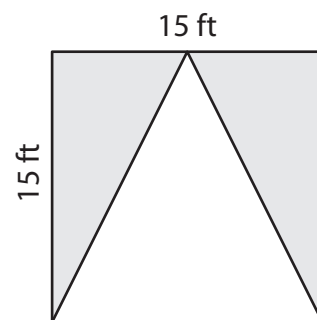
Area = \_\_\_\_\_

3)



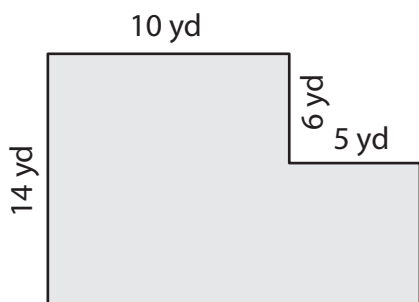
Area = \_\_\_\_\_

4)



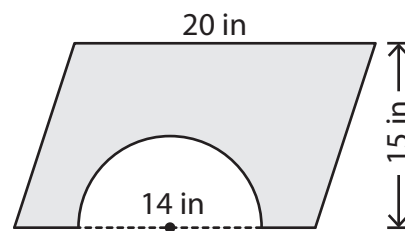
Area = \_\_\_\_\_

5)



Area = \_\_\_\_\_

6)



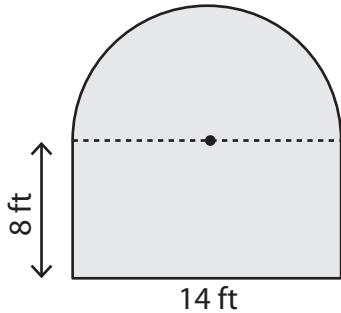
Area = \_\_\_\_\_

# Area of Compound Figures

Answer Key

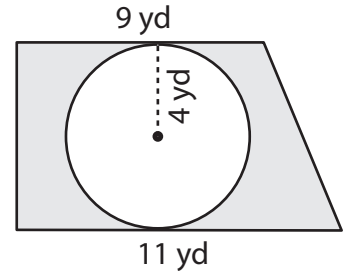
Find the area of the shaded region in each figure. (use  $\pi = 3.14$ )

1)



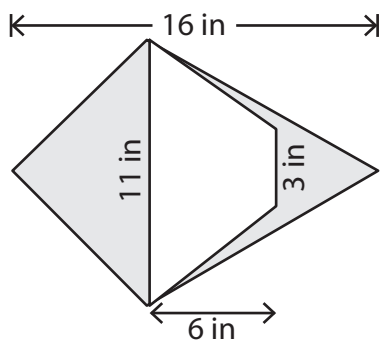
Area = 188.93 ft<sup>2</sup>

2)



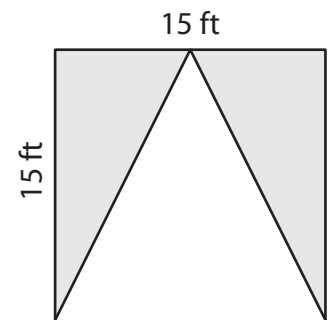
Area = 29.76 yd<sup>2</sup>

3)



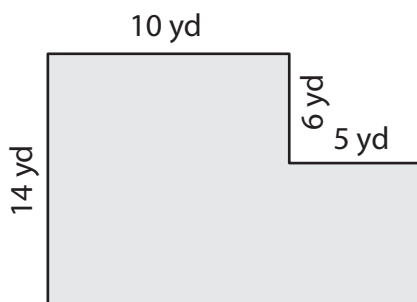
Area = 46 in<sup>2</sup>

4)



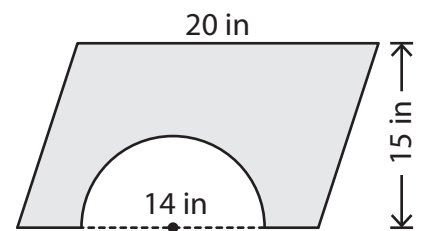
Area = 112.5 ft<sup>2</sup>

5)



Area = 180 yd<sup>2</sup>

6)



Area = 223.07 in<sup>2</sup>