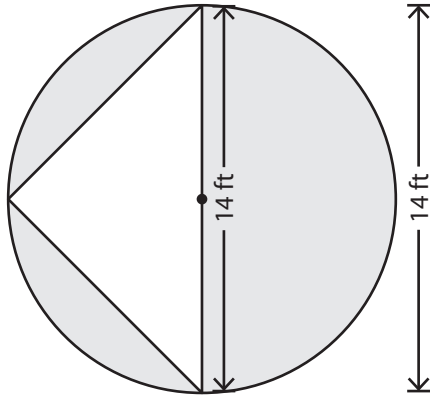


# Area of Compound Figures

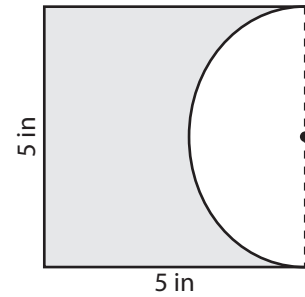
Find the area of the shaded region in each figure. Round your answer to two decimal places. (use  $\pi = 3.14$ )

1)



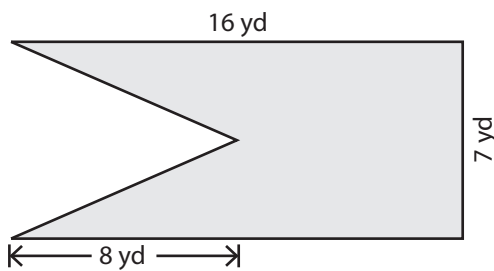
Area = \_\_\_\_\_

2)



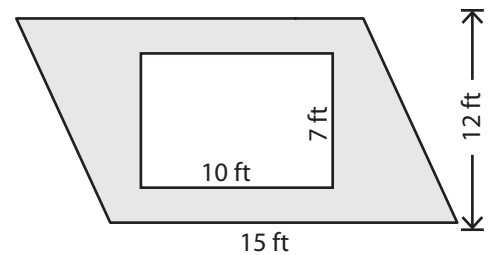
Area = \_\_\_\_\_

3)



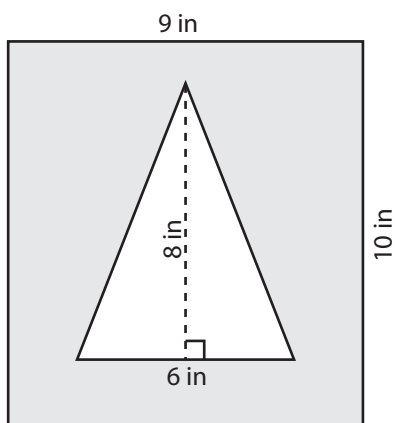
Area = \_\_\_\_\_

4)



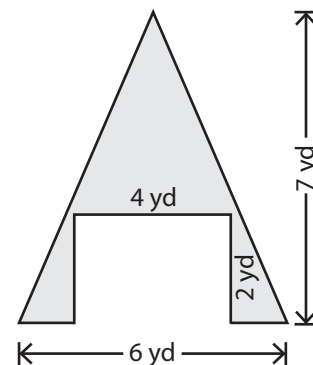
Area = \_\_\_\_\_

5)



Area = \_\_\_\_\_

6)



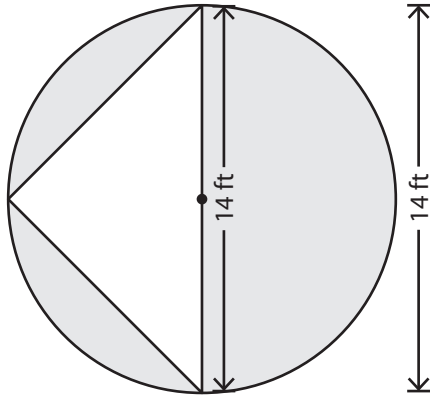
Area = \_\_\_\_\_

# Area of Compound Figures

Answer Key

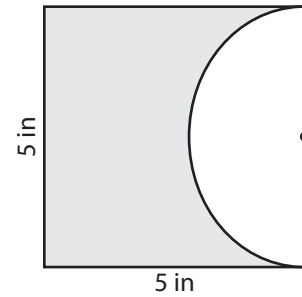
Find the area of the shaded region in each figure. Round your answer to two decimal places. (use  $\pi = 3.14$ )

1)



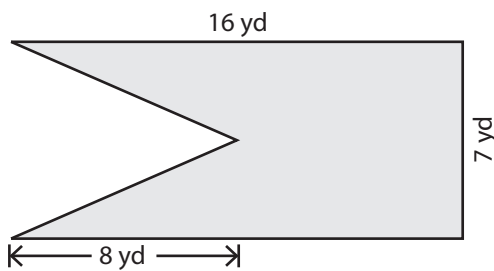
Area = 104.86 ft<sup>2</sup>

2)



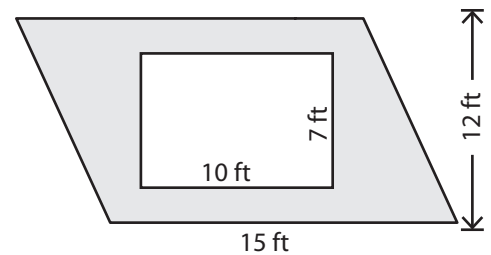
Area = 15.19 in<sup>2</sup>

3)



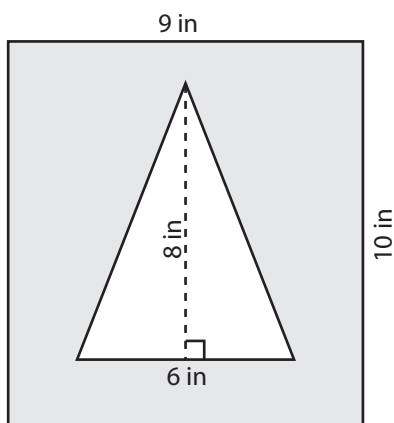
Area = 84 yd<sup>2</sup>

4)



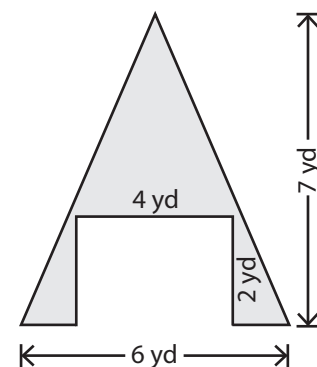
Area = 110 ft<sup>2</sup>

5)



Area = 66 in<sup>2</sup>

6)



Area = 13 yd<sup>2</sup>