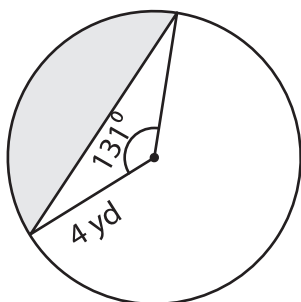


Finding the Area of the Segment

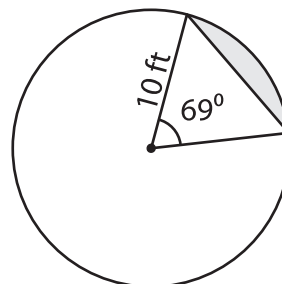
Find the area of the segment. Round your answer to two decimal places. (Use $\pi = 3.14$)

1)



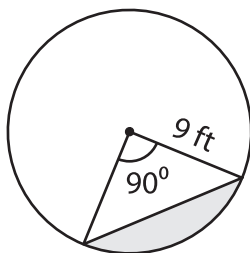
Area of the segment = _____

2)



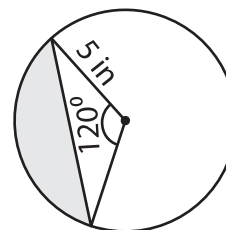
Area of the segment = _____

3)



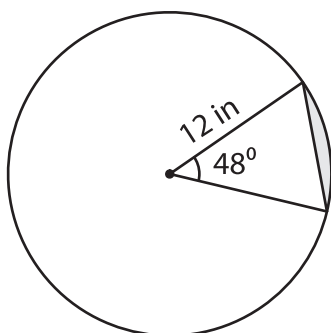
Area of the segment = _____

4)



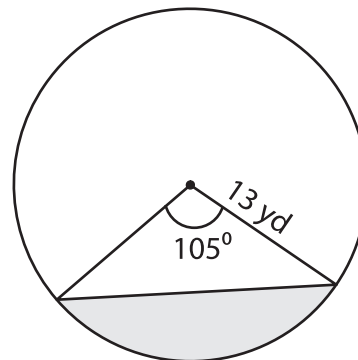
Area of the segment = _____

5)



Area of the segment = _____

6)



Area of the segment = _____