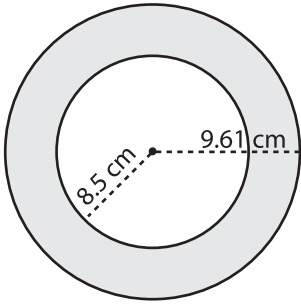


# Area of an Annulus

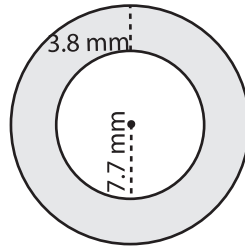
Find the area of the shaded region. Round your answer to two decimal places. (Use  $\pi = 3.14$ )

1)



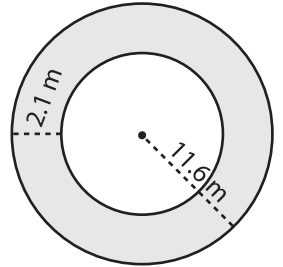
Area = \_\_\_\_\_

2)



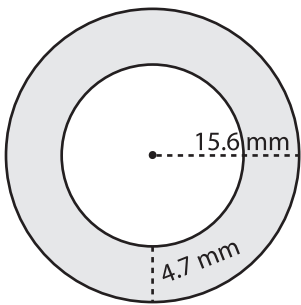
Area = \_\_\_\_\_

3)



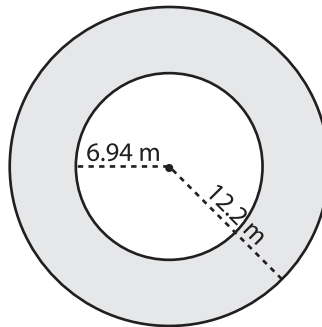
Area = \_\_\_\_\_

4)



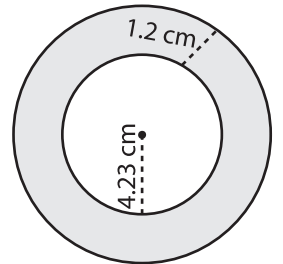
Area = \_\_\_\_\_

5)



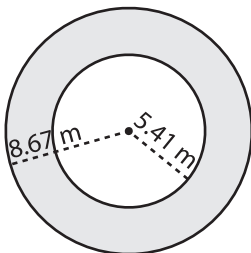
Area = \_\_\_\_\_

6)



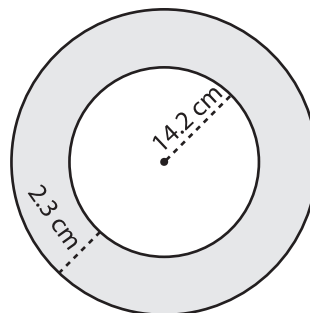
Area = \_\_\_\_\_

7)



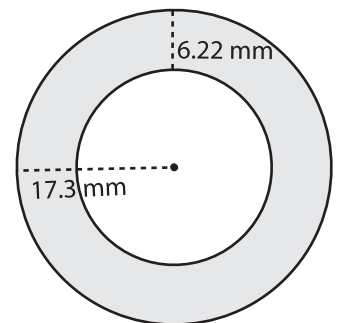
Area = \_\_\_\_\_

8)



Area = \_\_\_\_\_

9)



Area = \_\_\_\_\_