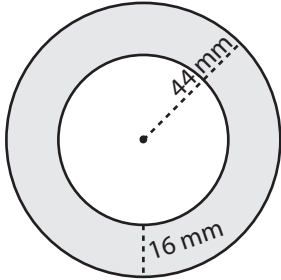


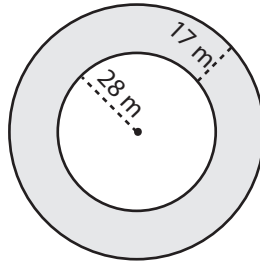
Area of an Annulus

Find the area of the shaded region in each figure. Round your answer to two decimal places. (Use 3.14 for π .)

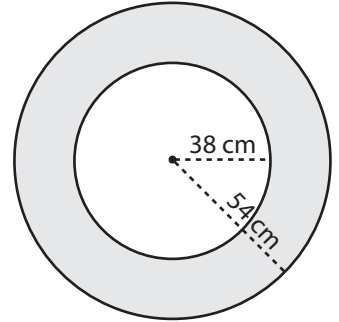
1)



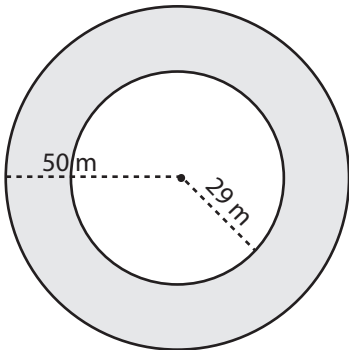
2)



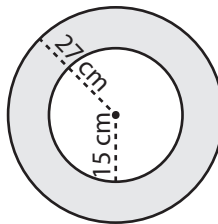
3)



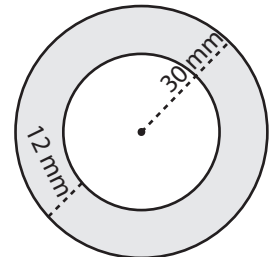
4)



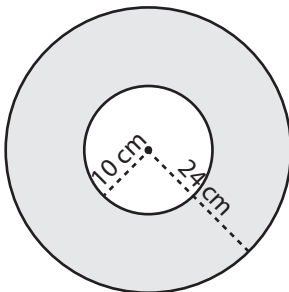
5)



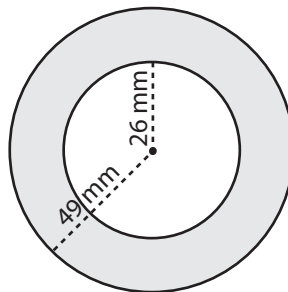
6)



7)



8)



9)

