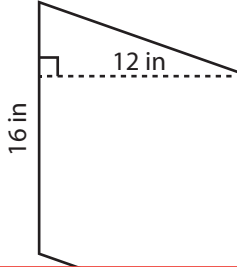


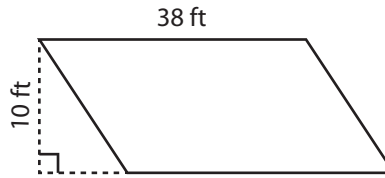
# Area of a Parallelogram

Find the area of each parallelogram.

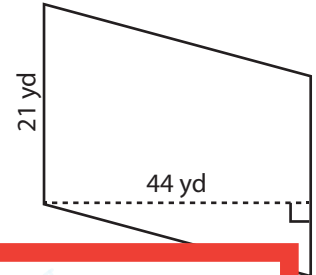
1)



2)



3)



Ar

# Preview

4)

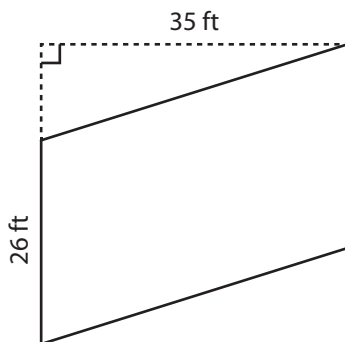
Become a member to unlock  
unrestricted access to both printable  
and online worksheets.



Ar

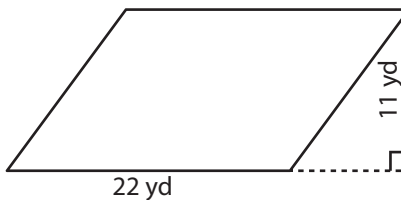
[www.tutoringhour.com](http://www.tutoringhour.com)

7)



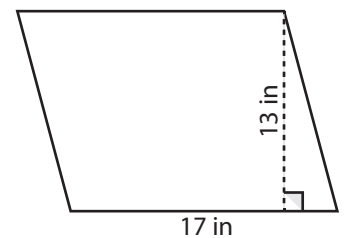
Area = \_\_\_\_\_

8)



Area = \_\_\_\_\_

9)



Area = \_\_\_\_\_