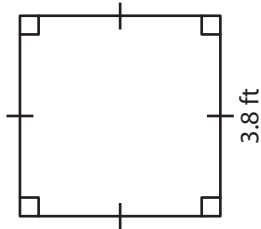


# Area of a Quadrilateral

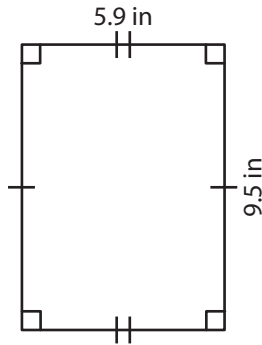
Find the area of each quadrilateral.

1)



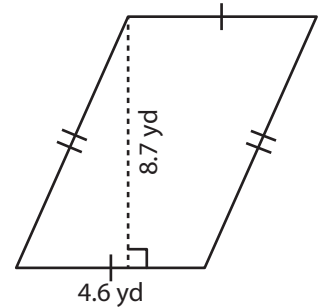
Area = \_\_\_\_\_

2)



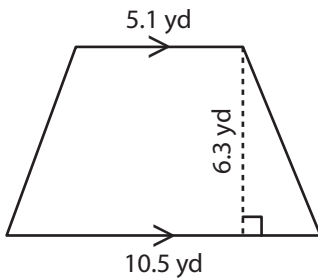
Area = \_\_\_\_\_

3)



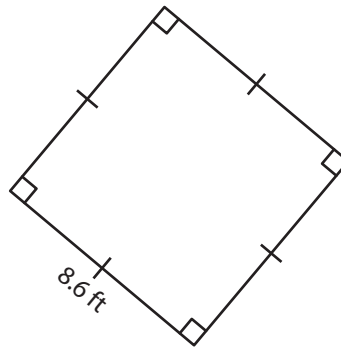
Area = \_\_\_\_\_

4)



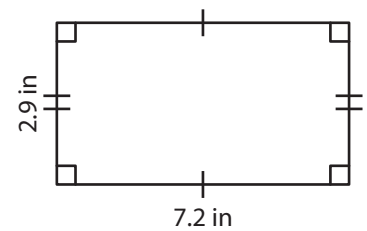
Area = \_\_\_\_\_

5)



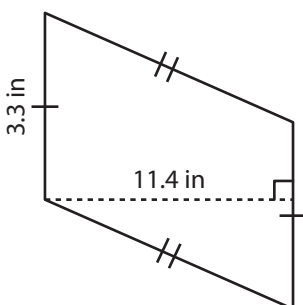
Area = \_\_\_\_\_

6)



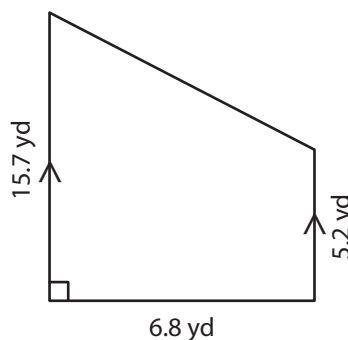
Area = \_\_\_\_\_

7)



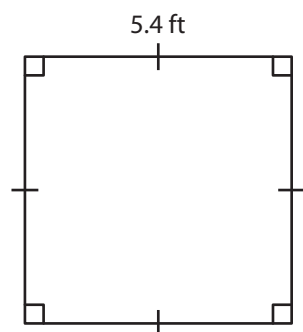
Area = \_\_\_\_\_

8)



Area = \_\_\_\_\_

9)



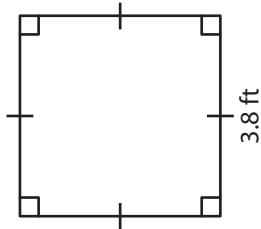
Area = \_\_\_\_\_

# Area of a Quadrilateral

Answer Key

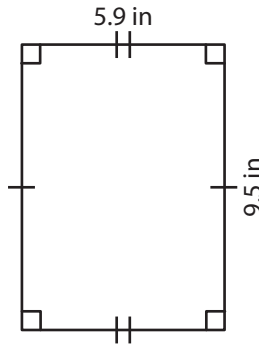
Find the area of each quadrilateral.

1)



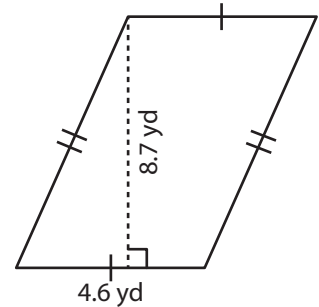
Area = 14.44 ft<sup>2</sup>

2)



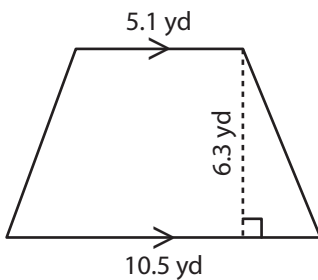
Area = 56.05 in<sup>2</sup>

3)



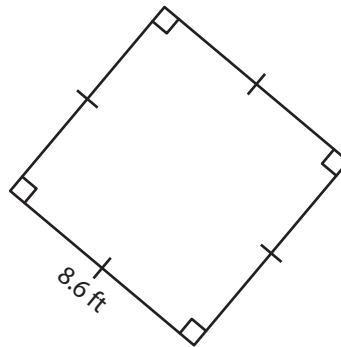
Area = 40.02 yd<sup>2</sup>

4)



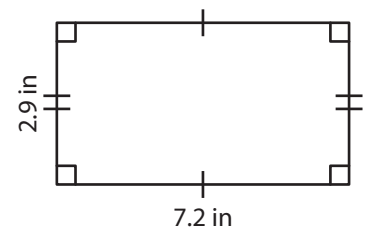
Area = 49.14 yd<sup>2</sup>

5)



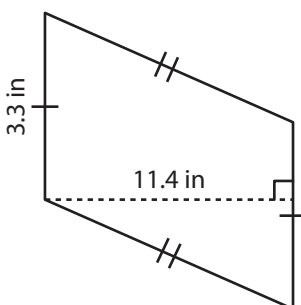
Area = 73.96 ft<sup>2</sup>

6)



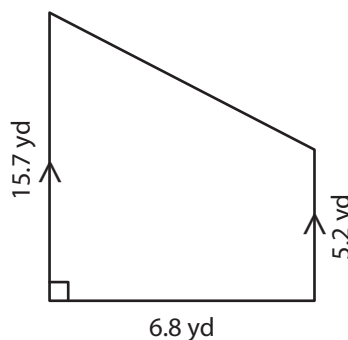
Area = 20.88 in<sup>2</sup>

7)



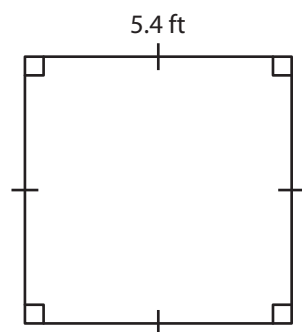
Area = 37.62 in<sup>2</sup>

8)



Area = 71.06 yd<sup>2</sup>

9)



Area = 29.16 ft<sup>2</sup>