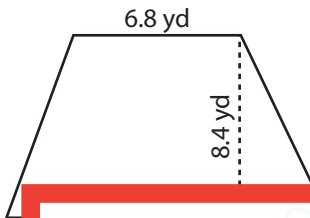


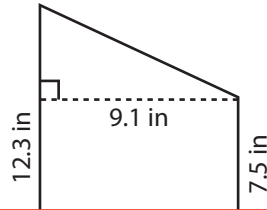
Area of a Trapezoid

Find the area of each trapezoid. Round your answer to two decimal places.

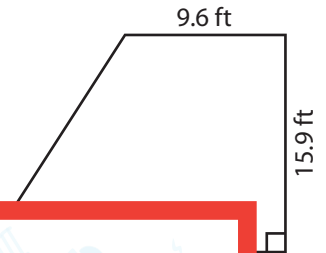
1)



2)



3)



Ar

Preview

4)

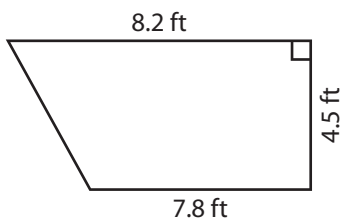
Become a member to unlock
unrestricted access to both printable
and online worksheets.



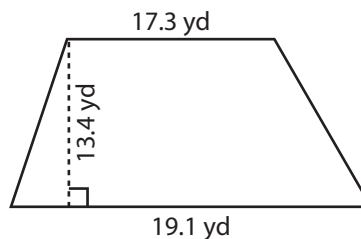
Ar

www.tutoringhour.com

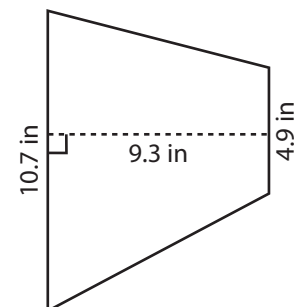
7)



8)



9)



Area = _____

Area = _____

Area = _____