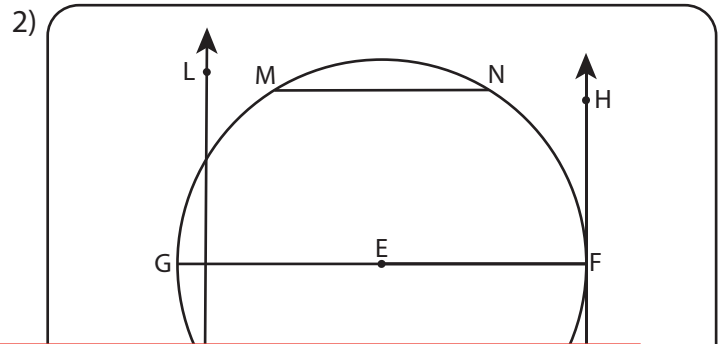
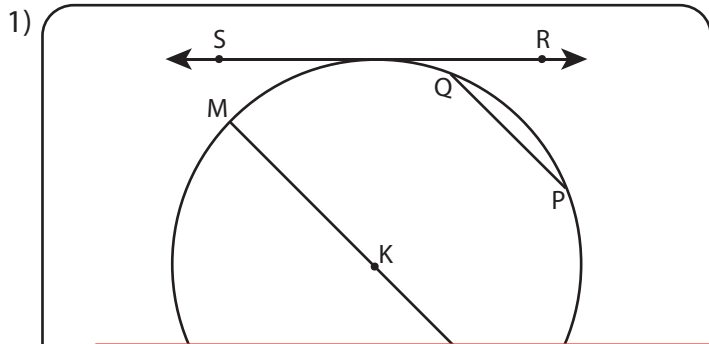


# Parts of a Circle

Identify the parts of each circle.



## Preview

Become a member to unlock  
unrestricted access to both printable  
and online worksheets.



[www.tutoringhour.com](http://www.tutoringhour.com)

3)

Center = \_\_\_\_\_ Chord = \_\_\_\_\_

Radius = \_\_\_\_\_ Tangent = \_\_\_\_\_

Diameter = \_\_\_\_\_ Secant = \_\_\_\_\_

Center = \_\_\_\_\_ Chord = \_\_\_\_\_

Radius = \_\_\_\_\_ Tangent = \_\_\_\_\_

Diameter = \_\_\_\_\_ Secant = \_\_\_\_\_