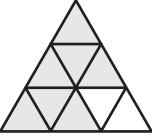
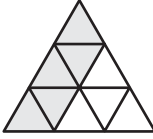
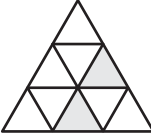
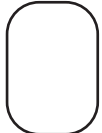
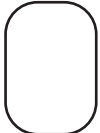
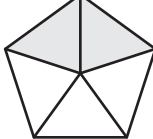


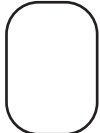
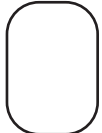
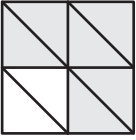
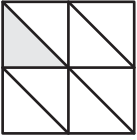
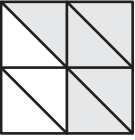
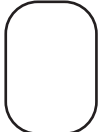
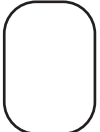





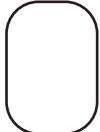
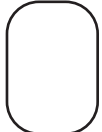
Decomposing Fractions Using Visual Models


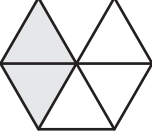

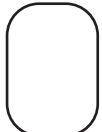
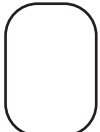
Decompose each fraction into a sum of fractions using the fraction models.




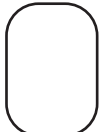
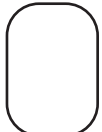
1)  =  + 
 $\frac{7}{9}$ =  + 

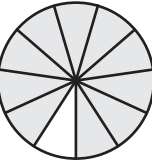
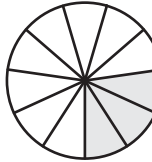

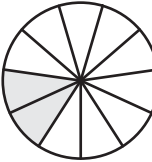
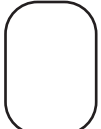
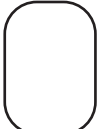
2)  =  + 
 $\frac{2}{5}$ =  + 

3)  =  + 
 $\frac{6}{8}$ =  + 

4)  =  + 
 $\frac{4}{7}$ =  + 

5)  =  + 
 $\frac{5}{6}$ =  + 

6)  =  + 
 $\frac{3}{4}$ =  + 

7)  =  +  + 
 $\frac{10}{11}$ =  +  + 