


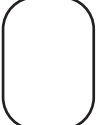

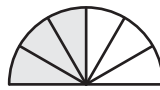

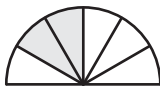

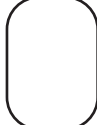
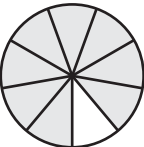

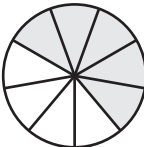
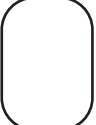



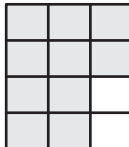
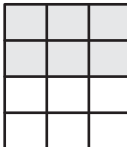
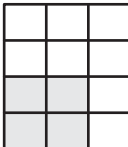

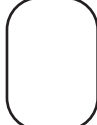
Decomposing Fractions Using Visual Models

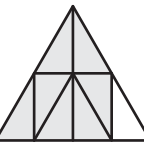
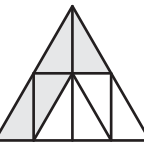
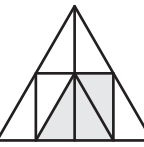
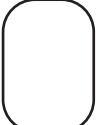

Decompose each fraction into a sum of fractions using the fraction models.

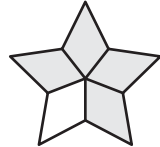
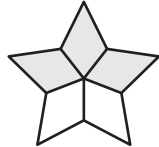


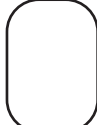
1)  =  + 
 $\frac{5}{7} =$  + 

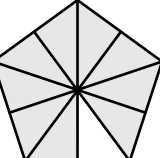
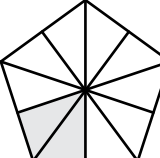
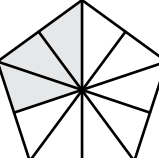
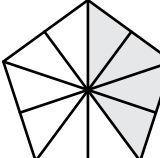
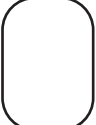

2)  =  + 
 $\frac{3}{6} =$  + 

3)  =  + 
 $\frac{8}{9} =$  + 

4)  =  + 
 $\frac{10}{12} =$  + 

5)  =  + 
 $\frac{7}{8} =$  + 

6)  =  + 
 $\frac{4}{5} =$  + 

7)  =  +  + 
 $\frac{9}{10} =$  +  + 