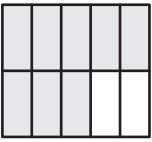
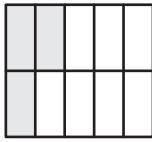
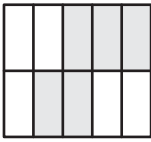
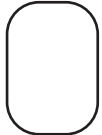
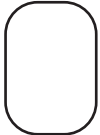
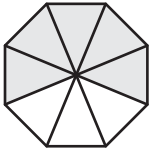
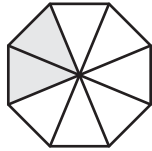
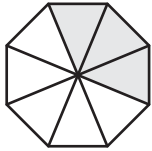
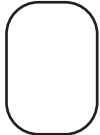
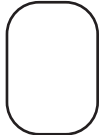
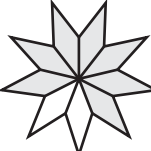

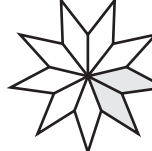
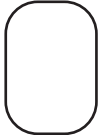
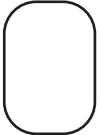




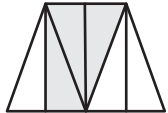
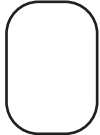
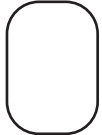
## Decomposing Fractions Using Visual Models

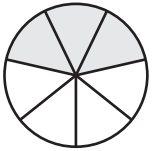
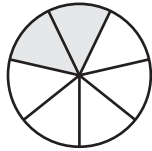
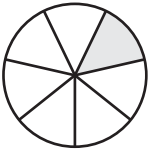
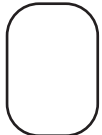
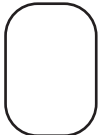
Decompose each fraction into a sum of fractions using the fraction models.

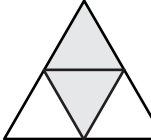
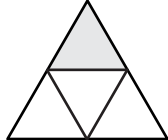
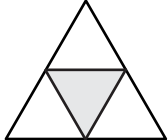
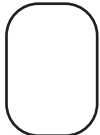
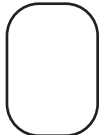
1)  =  +   
 $\frac{8}{10} =$   + 

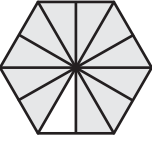
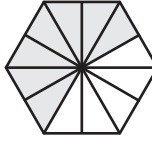
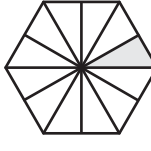
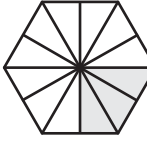
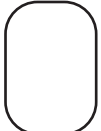
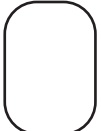
2)  =  +   
 $\frac{5}{8} =$   + 

3)  =  +   
 $\frac{7}{9} =$   + 

4)  =  +   
 $\frac{4}{6} =$   + 

5)  =  +   
 $\frac{3}{7} =$   + 

6)  =  +   
 $\frac{2}{4} =$   + 

7)  =  +  +   
 $\frac{11}{12} =$   +  + 