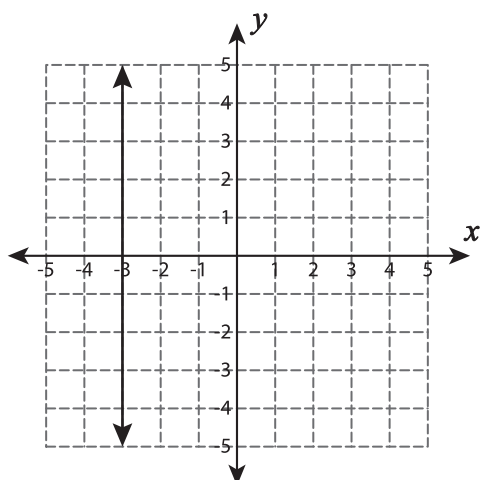


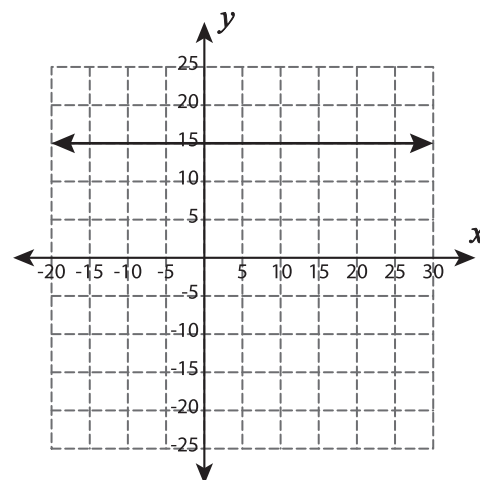
Equations of Horizontal and Vertical Lines

Write the equation for each graph.

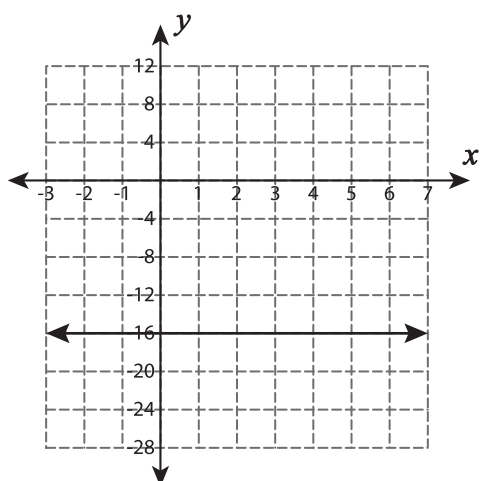
1)



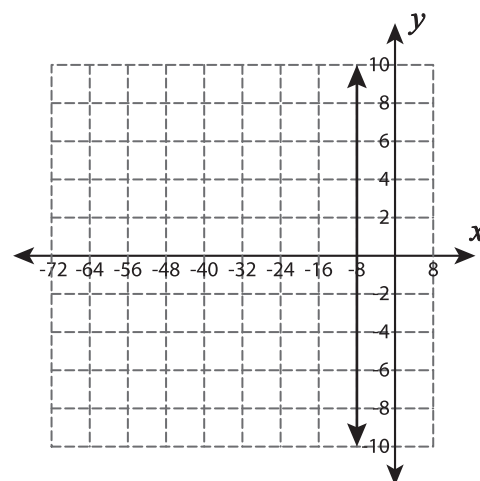
2)



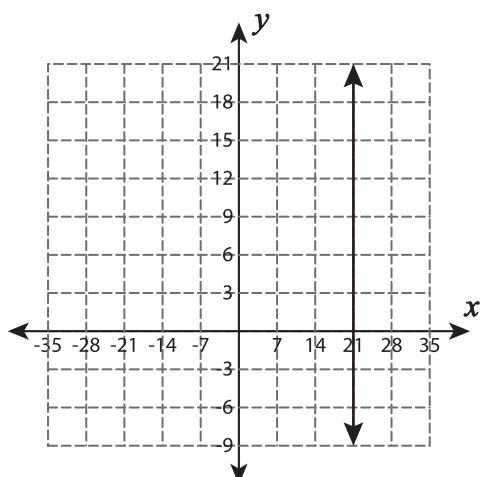
3)



4)



5)



6)

