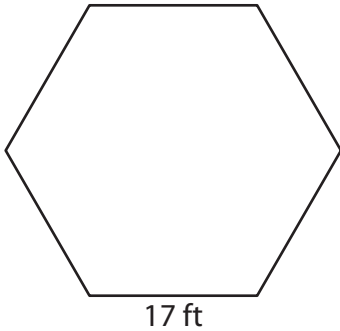


# Perimeter of a Polygon

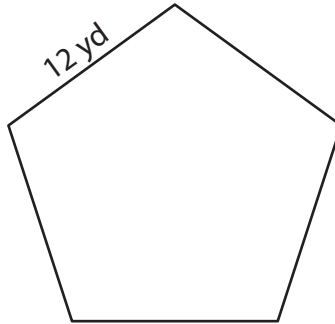
Find the perimeter of each regular polygon.

1)



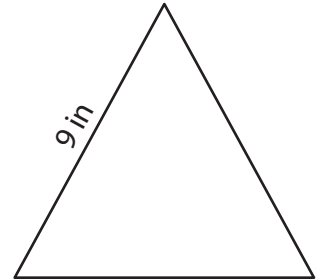
Perimeter = \_\_\_\_\_

2)



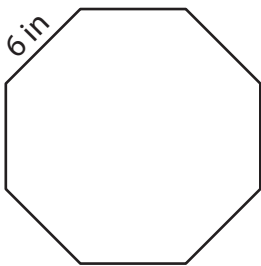
Perimeter = \_\_\_\_\_

3)



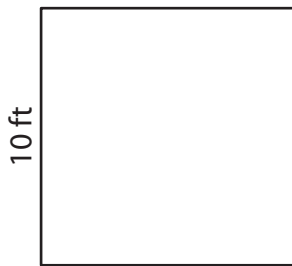
Perimeter = \_\_\_\_\_

4)



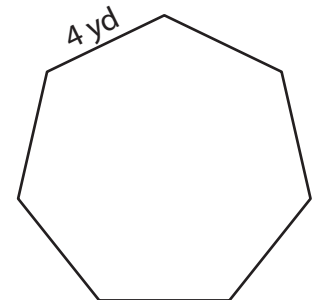
Perimeter = \_\_\_\_\_

5)



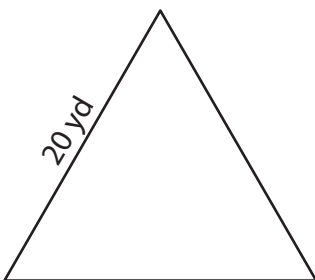
Perimeter = \_\_\_\_\_

6)



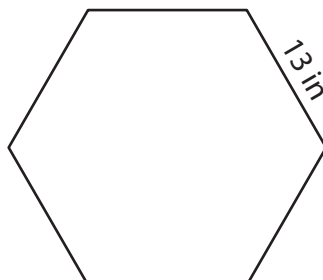
Perimeter = \_\_\_\_\_

7)



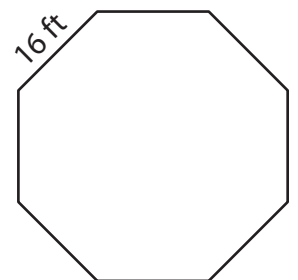
Perimeter = \_\_\_\_\_

8)



Perimeter = \_\_\_\_\_

9)



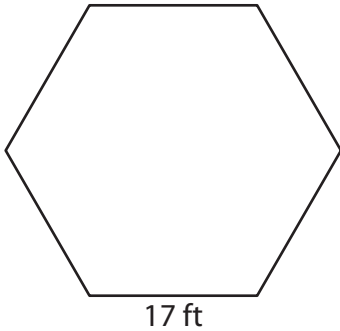
Perimeter = \_\_\_\_\_

# Perimeter of a Polygon

Answer Key

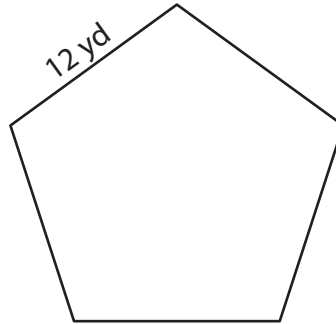
Find the perimeter of each regular polygon.

1)



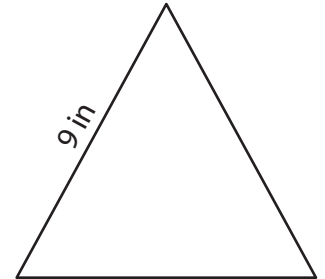
Perimeter = 102 ft

2)



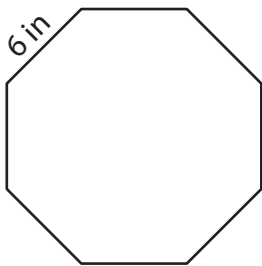
Perimeter = 60 yd

3)



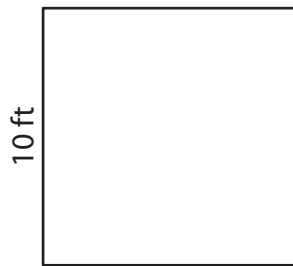
Perimeter = 27 in

4)



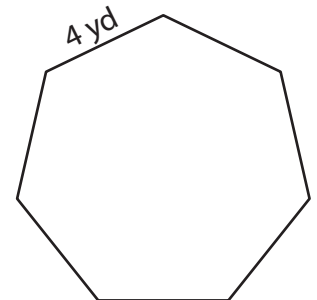
Perimeter = 48 in

5)



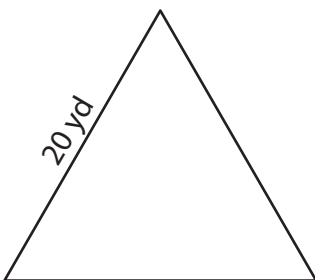
Perimeter = 40 ft

6)



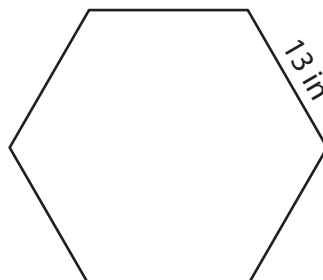
Perimeter = 28 yd

7)



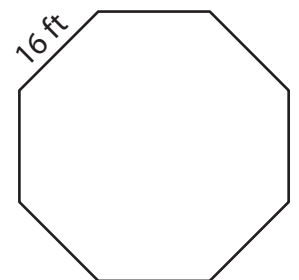
Perimeter = 60 yd

8)



Perimeter = 78 in

9)



Perimeter = 128 ft