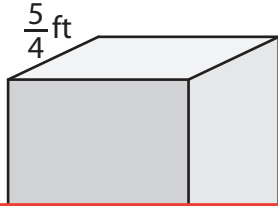


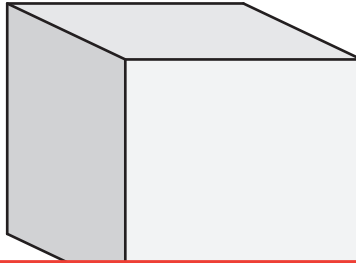
# Surface Area of a Cube

Find the surface area of each cube.

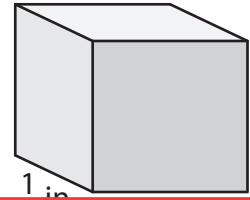
1)



2)



3)



# Preview

Become a member to unlock  
unrestricted access to both printable  
and online worksheets.



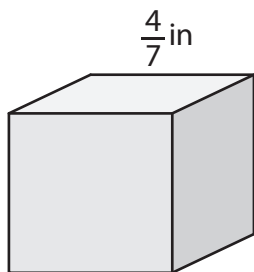
[www.tutoringhour.com](http://www.tutoringhour.com)

4)

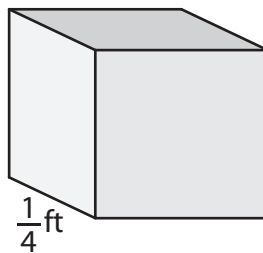


$\frac{4}{7}$  ft

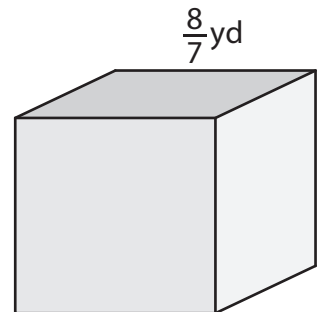
7)



8)



9)



\_\_\_\_\_

\_\_\_\_\_

\_\_\_\_\_