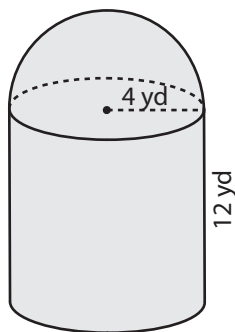


Surface Area of Composite Figures

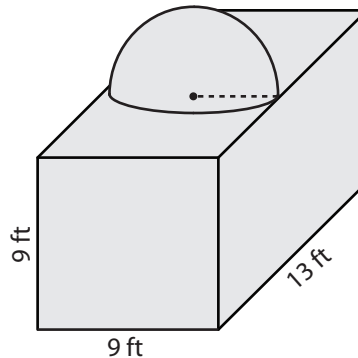
Find the surface area of each figure. Round your answer to two decimal places. (use $\pi = 3.14$)

1)



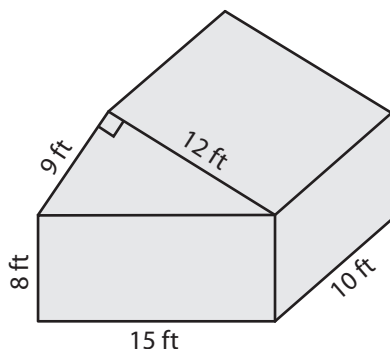
Surface Area = _____

2)



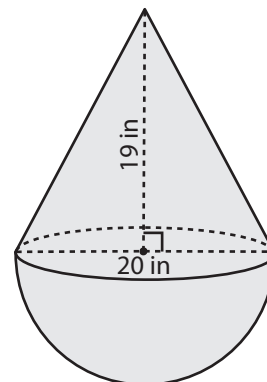
Surface Area = _____

3)



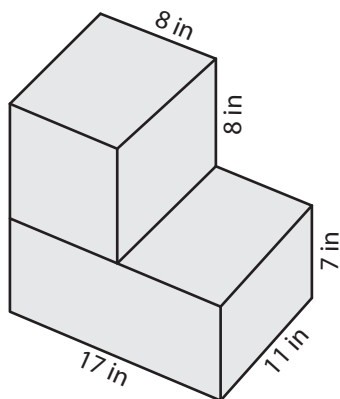
Surface Area = _____

4)



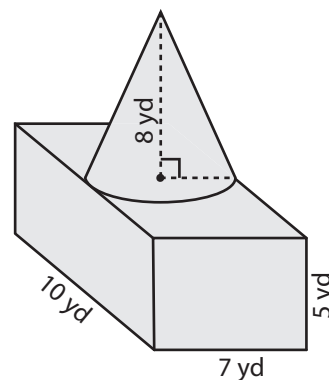
Surface Area = _____

5)



Surface Area = _____

6)



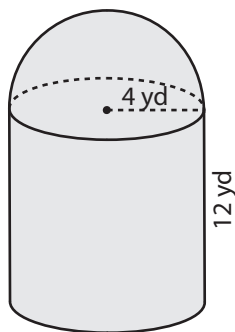
Surface Area = _____

Surface Area of Composite Figures

Answer key

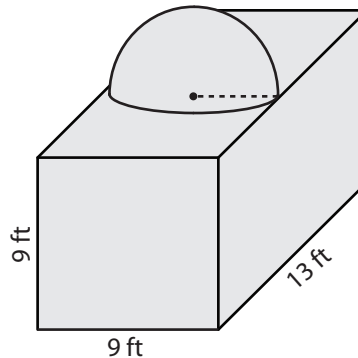
Find the surface area of each figure. Round your answer to two decimal places. (use $\pi = 3.14$)

1)



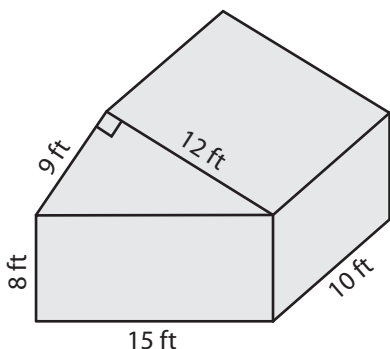
Surface Area = 452.16 yd²

2)



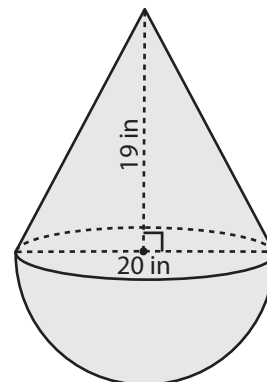
Surface Area = 693.59 ft²

3)



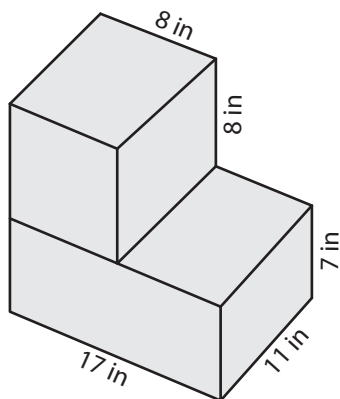
Surface Area = 1,168 ft²

4)



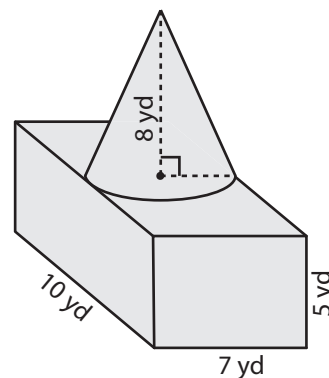
Surface Area = 1,302.19 in²

5)



Surface Area = 1,070 in²

6)



Surface Area = 367.5 yd²