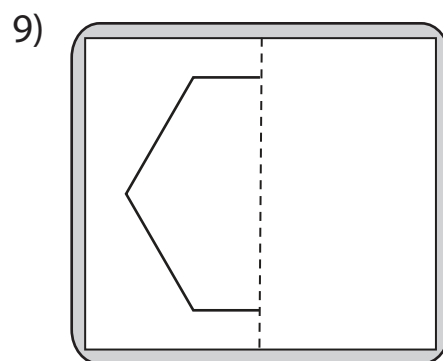
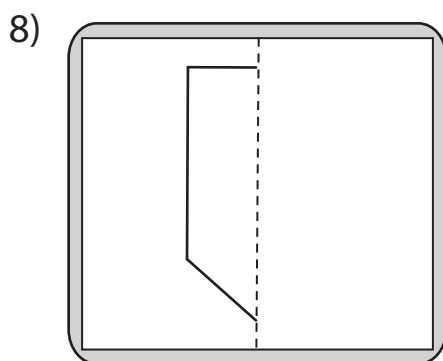
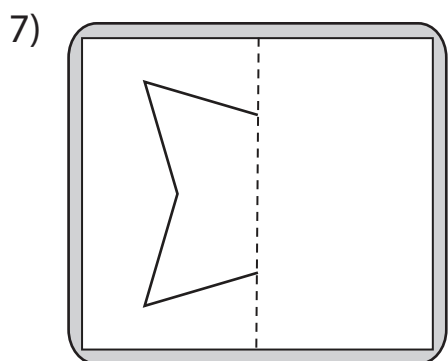
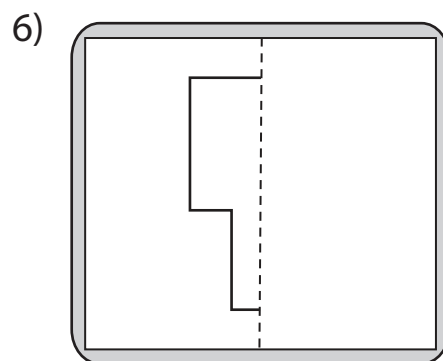
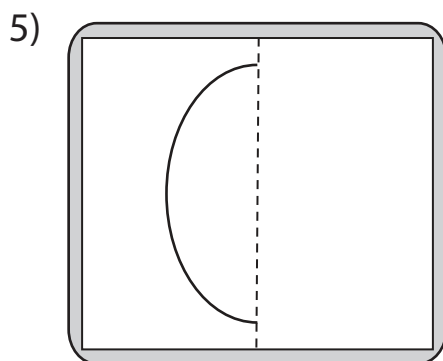
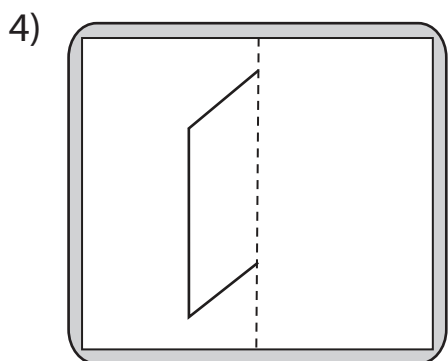
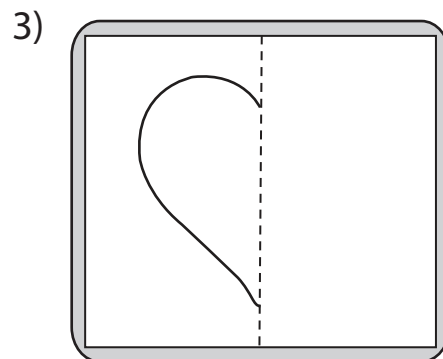
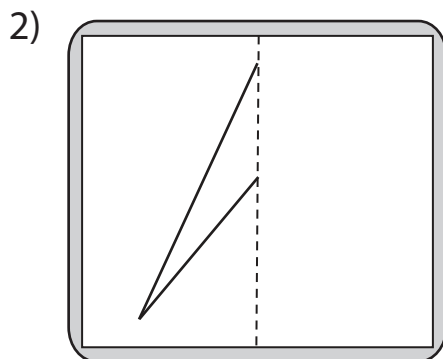
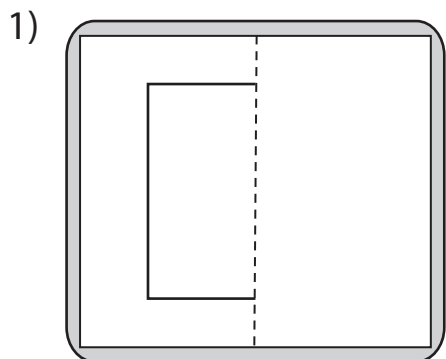


Symmetry

One half of each symmetric shape is given. Cut and glue the other half to complete each shape.



Symmetry

