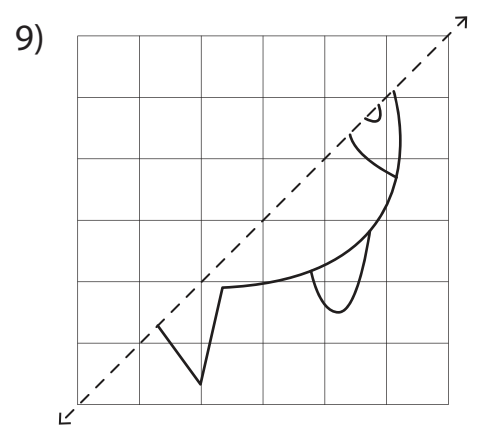
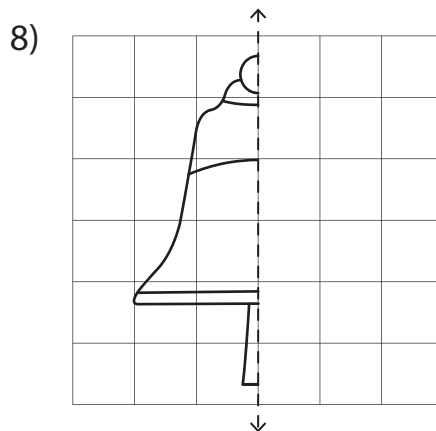
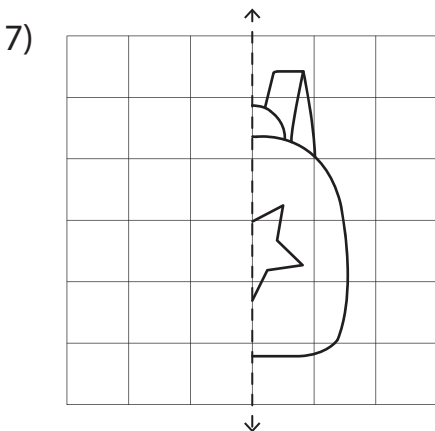
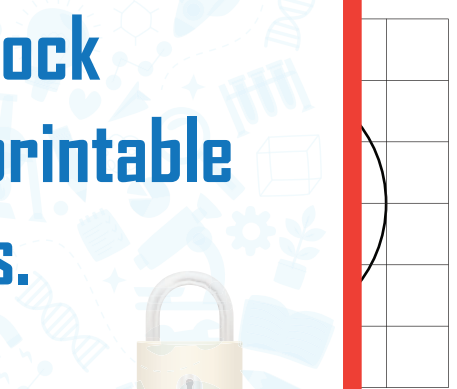
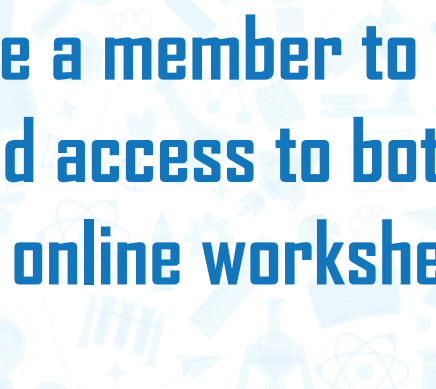
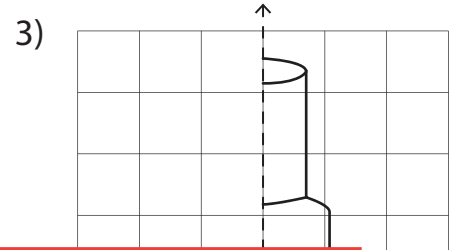
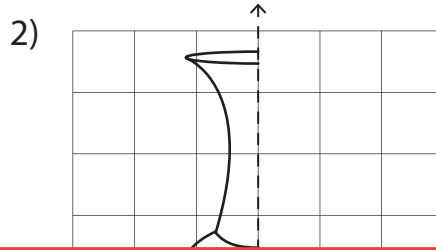
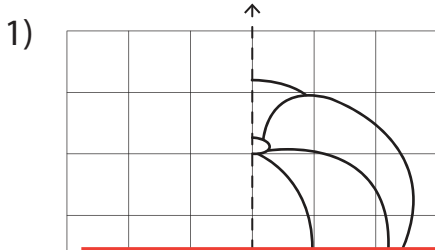


Symmetry

Draw the other half of each symmetrical figure.



Preview

Become a member to unlock
unrestricted access to both printable
and online worksheets.



www.tutoringhour.com