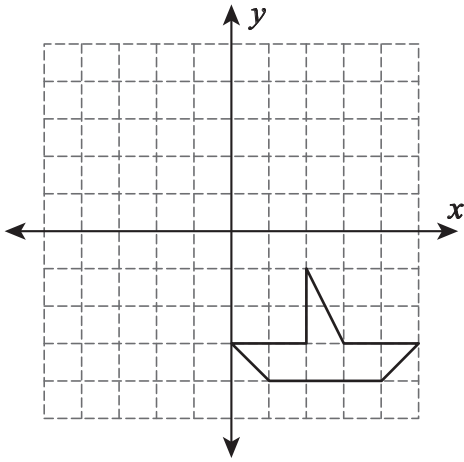


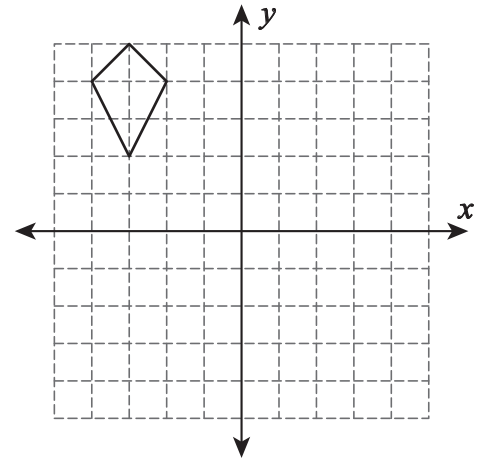
# Translation of Shapes

Translate and graph the image of each shape following the given instructions.

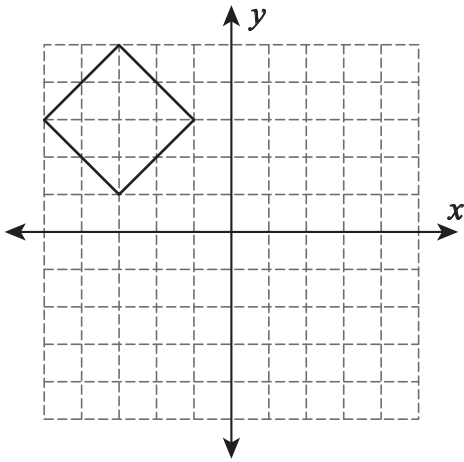
- 1) 2 units up and 5 units left



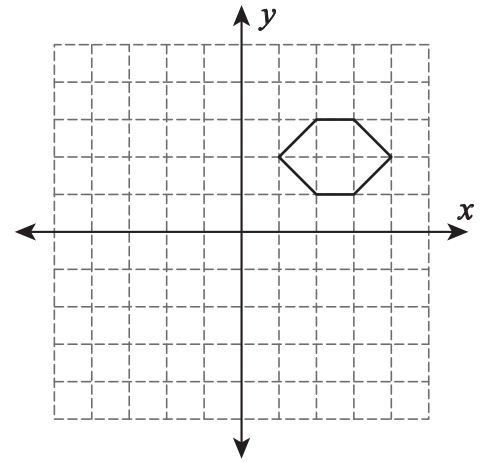
- 2) 6 units right



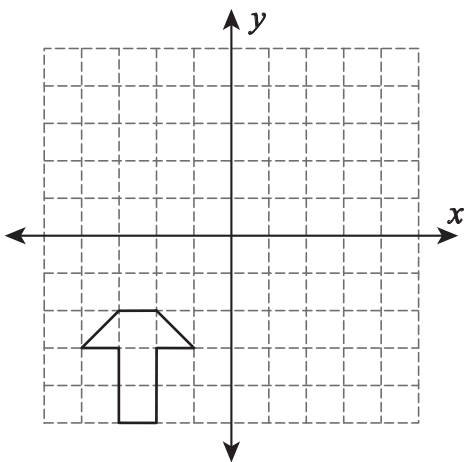
- 3) 4 units down and 6 units right



- 4) 3 units down and 2 units left



- 5) 7 units up



- 6) 2 units right and 4 units up

