

Homographs

Homographs are words with the same spelling but different meanings.

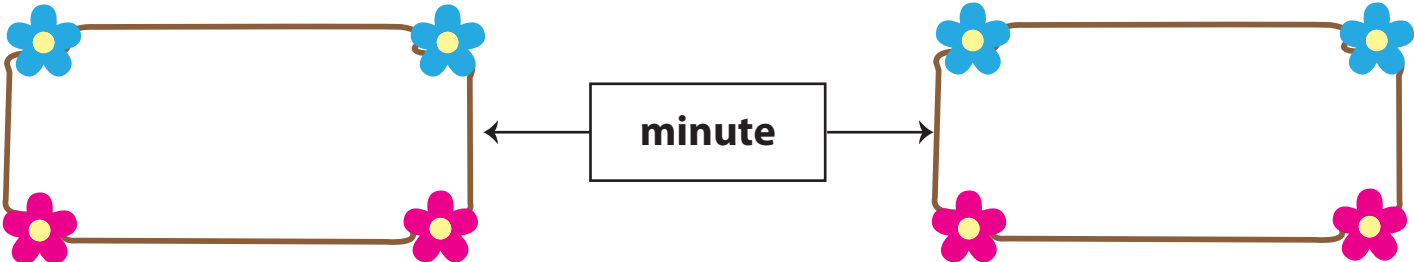
Example :

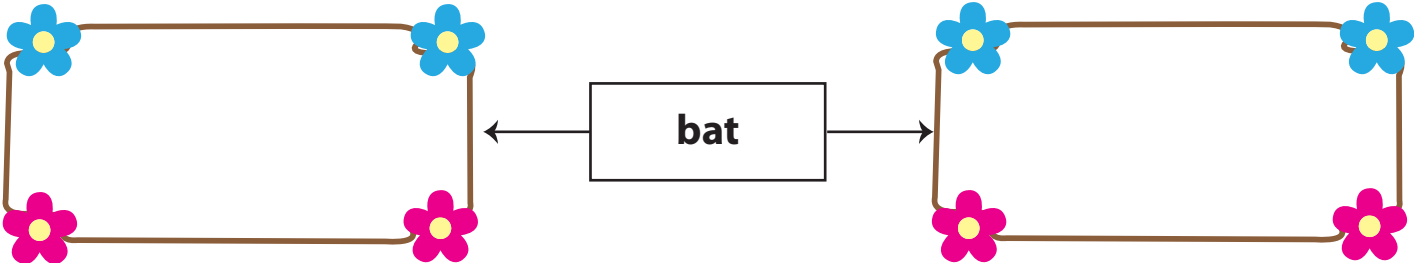
mail

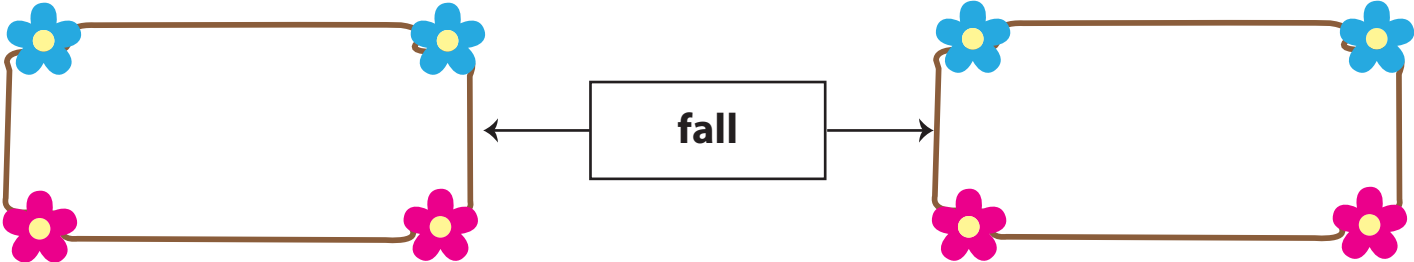
letter

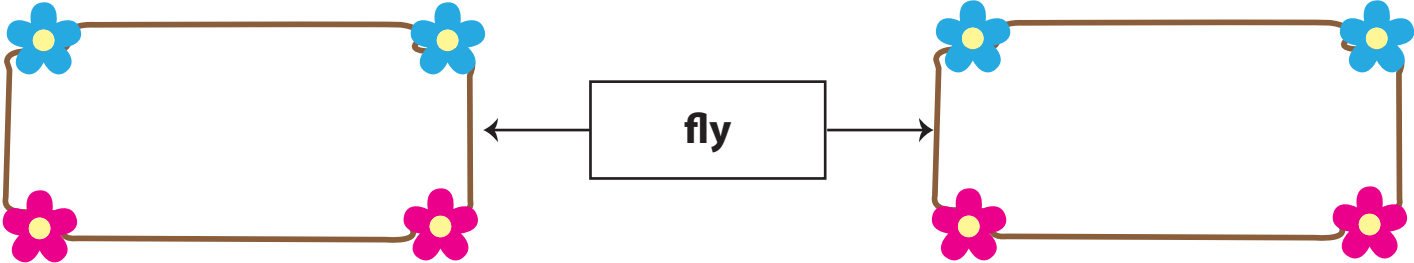
a sign representing
a speech sound

Write two meanings for the homographs below.

1) 

2) 

3) 

4) 

5) 