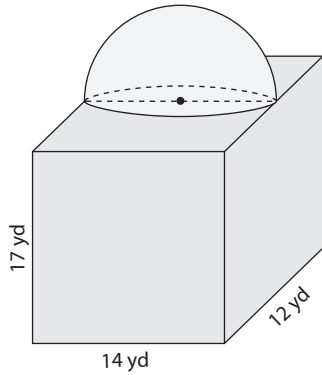


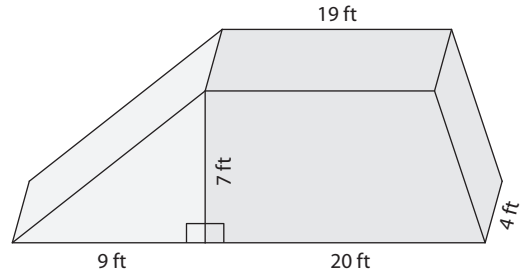
Volume of Composite Shapes

Find the volume of each solid shape. Round your answer to two decimal places. (Use 3.14 for π .)

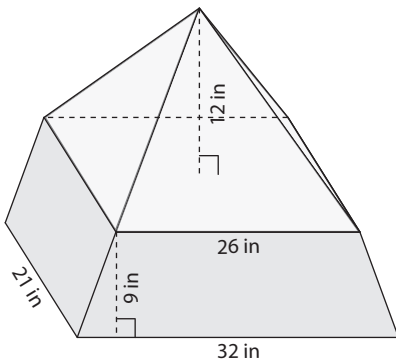
1)



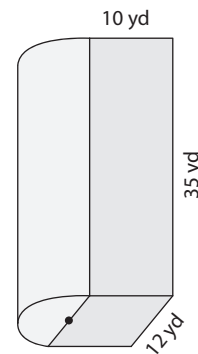
2)



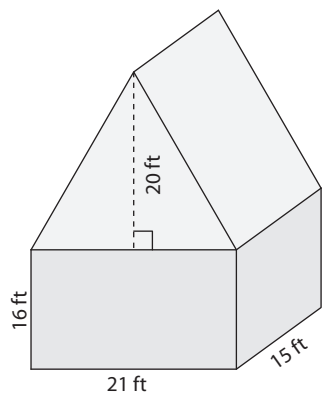
3)



4)



5)



6)

