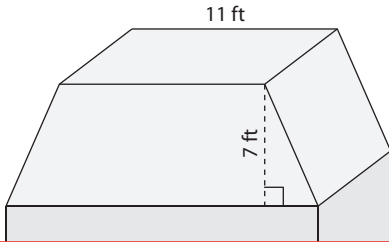


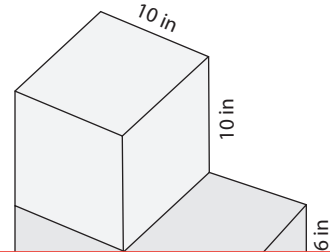
Volume of Composite Shapes

Find the volume of each solid shape. Round your answer to two decimal places. (Use 3.14 for π .)

1)




2)



3)

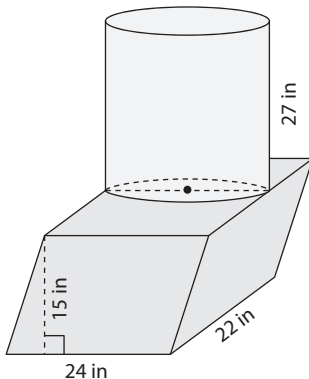
Preview

Become a member to unlock
unrestricted access to both printable
and online worksheets.



www.tutoringhour.com

5)



6)

