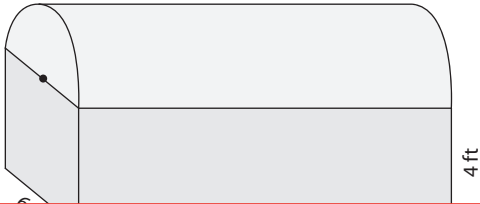


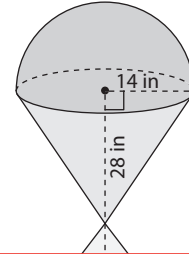
# Volume of Composite Shapes

Find the volume of each solid shape. Round your answer to two decimal places. (Use 3.14 for  $\pi$ .)

1)




2)



3)

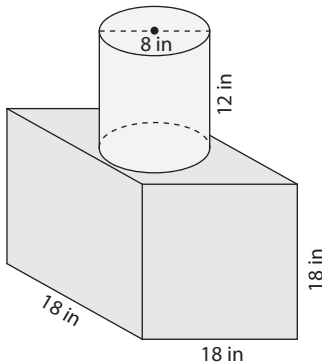
# Preview

Become a member to unlock  
unrestricted access to both printable  
and online worksheets.



[www.tutoringhour.com](http://www.tutoringhour.com)

5)



6)

