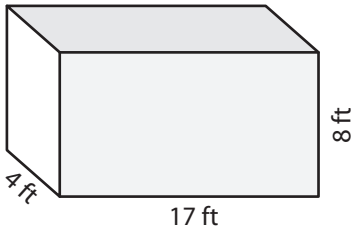


# Volume of a Rectangular Prism

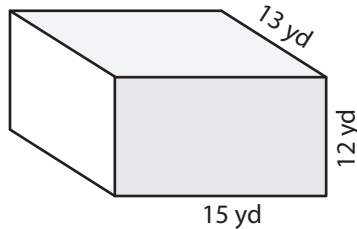
Find the volume of each rectangular prism.

1)



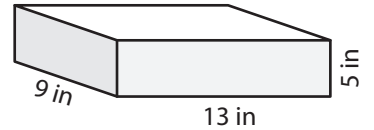
Volume = \_\_\_\_\_

2)



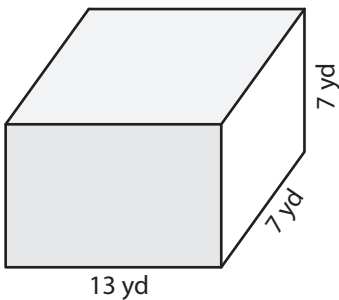
Volume = \_\_\_\_\_

3)



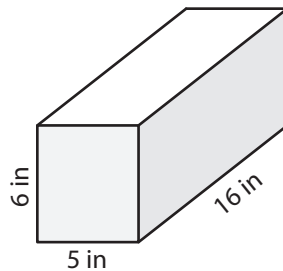
Volume = \_\_\_\_\_

4)



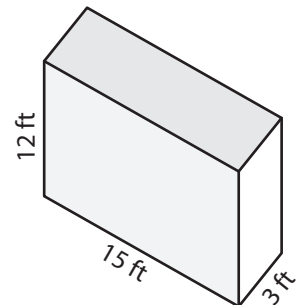
Volume = \_\_\_\_\_

5)



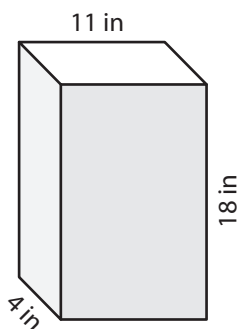
Volume = \_\_\_\_\_

6)



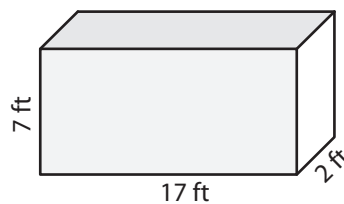
Volume = \_\_\_\_\_

7)



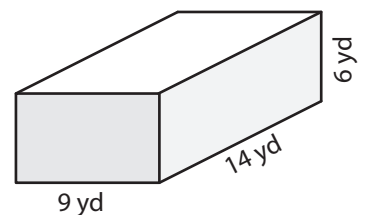
Volume = \_\_\_\_\_

8)



Volume = \_\_\_\_\_

9)



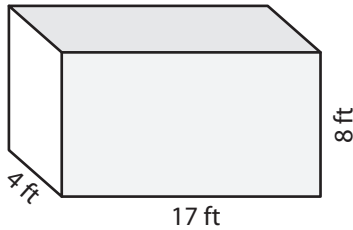
Volume = \_\_\_\_\_

# Volume of a Rectangular Prism

Answer key

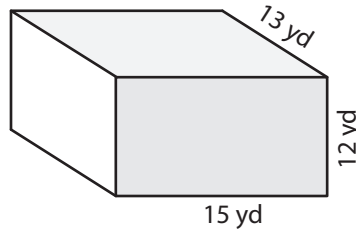
Find the volume of each rectangular prism.

1)



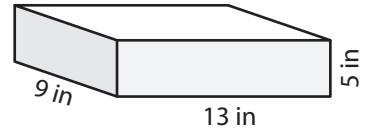
Volume = 544 ft<sup>3</sup>

2)



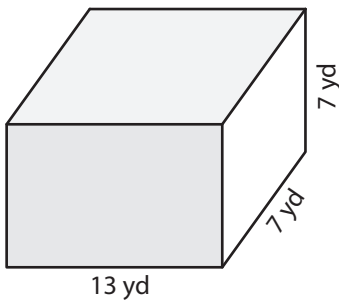
Volume = 2,340 yd<sup>3</sup>

3)



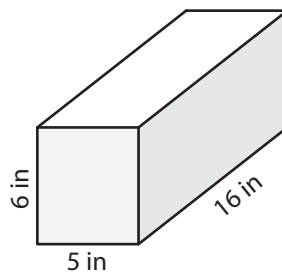
Volume = 585 in<sup>3</sup>

4)



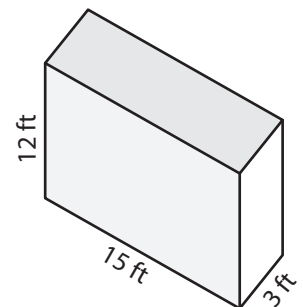
Volume = 637 yd<sup>3</sup>

5)



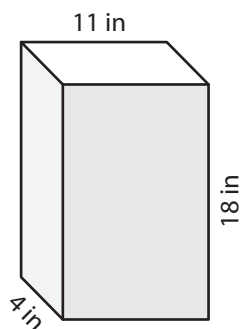
Volume = 480 in<sup>3</sup>

6)



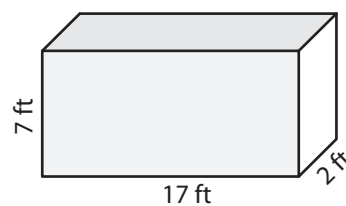
Volume = 540 ft<sup>3</sup>

7)



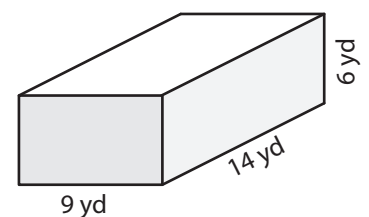
Volume = 792 in<sup>3</sup>

8)



Volume = 238 ft<sup>3</sup>

9)



Volume = 756 yd<sup>3</sup>