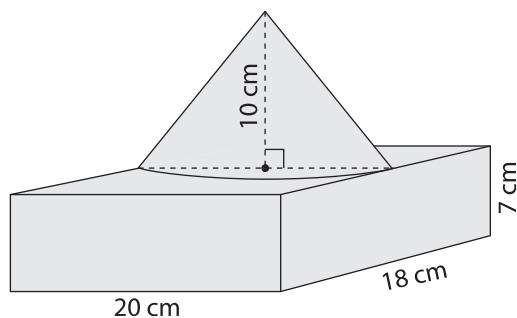


Volume of Compound Figures

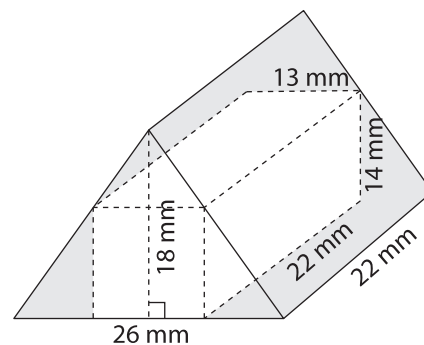
Find the volume of each shaded region. Round your answer to two decimal places. (use $\pi = 3.14$)

1)



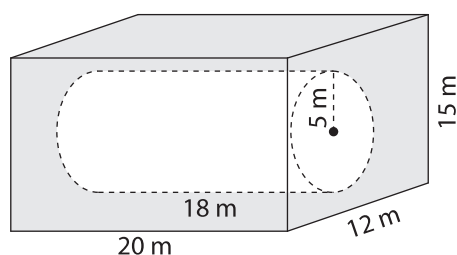
Volume = _____

2)



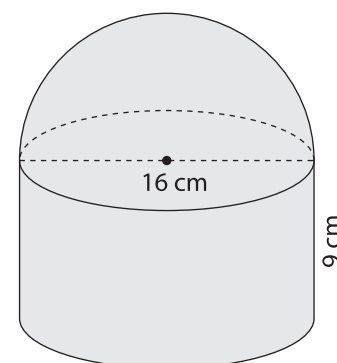
Volume = _____

3)



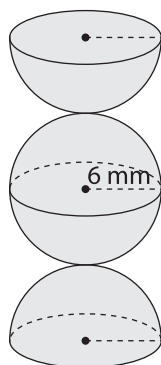
Volume = _____

4)



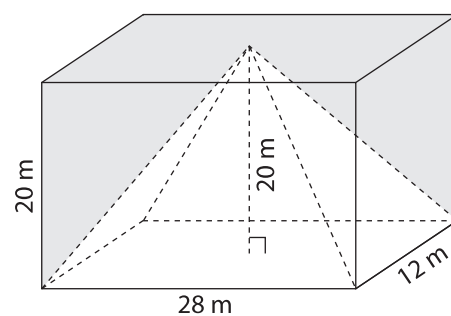
Volume = _____

5)



Volume = _____

6)



Volume = _____