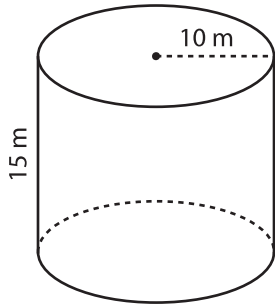


# Volume of a Cylinder

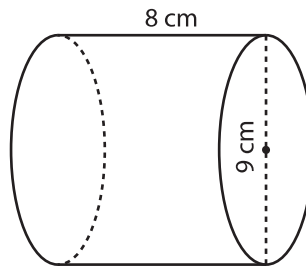
Find the volume of each cylinder. (use  $\pi = 3.14$ )

1)



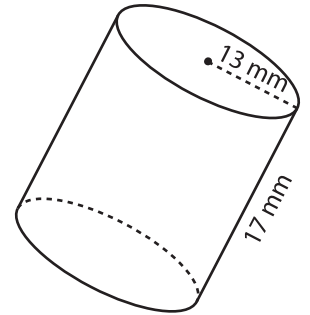
Volume = \_\_\_\_\_

2)



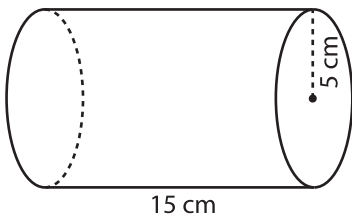
Volume = \_\_\_\_\_

3)



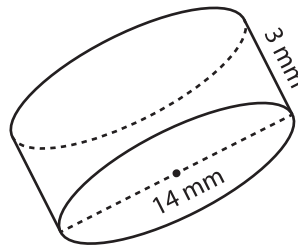
Volume = \_\_\_\_\_

4)



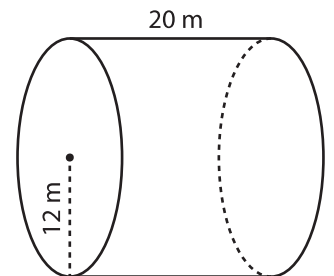
Volume = \_\_\_\_\_

5)



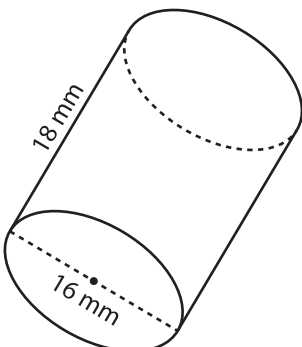
Volume = \_\_\_\_\_

6)



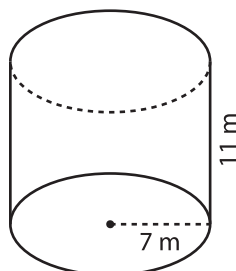
Volume = \_\_\_\_\_

7)



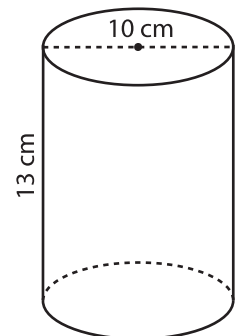
Volume = \_\_\_\_\_

8)



Volume = \_\_\_\_\_

9)



Volume = \_\_\_\_\_