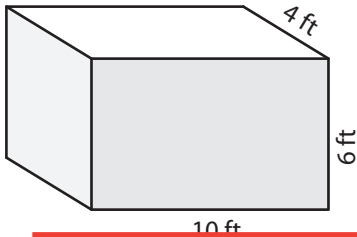


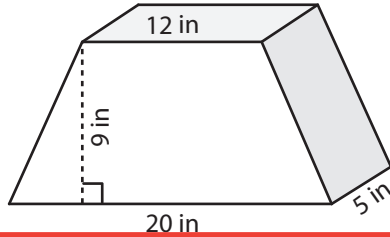
Volume of Mixed Prisms

Find the volume of each prism.

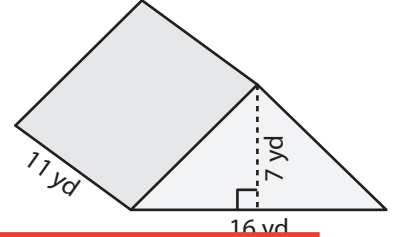
1)



2)




3)



4)

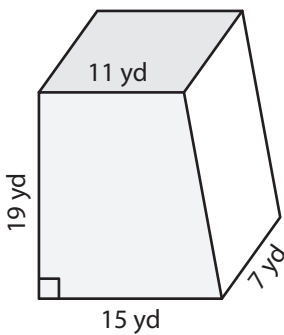
Preview

Become a member to unlock
unrestricted access to both printable
and online worksheets.

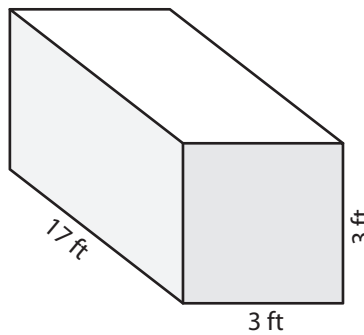


www.tutoringhour.com

7)



8)



9)

