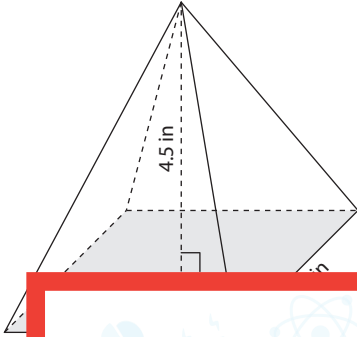


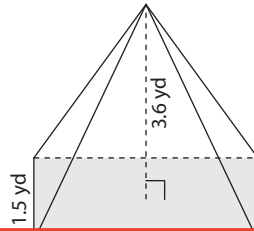
Volume of a Pyramid

Find the volume of each pyramid. Round your answer to two decimal places.

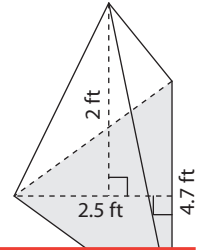
1)



2)



3)



4)

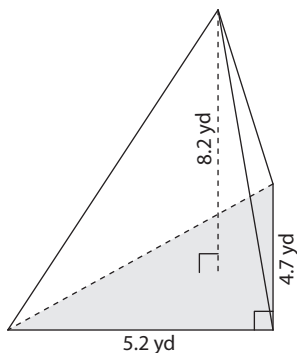
Preview

Become a member to unlock
unrestricted access to both printable
and online worksheets.

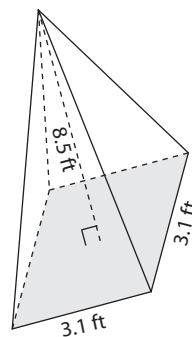


www.tutoringhour.com

7)



8)



9)

