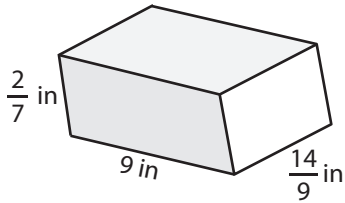


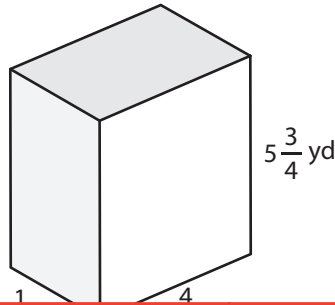
# Volume of a Rectangular Prism

Find the volume of each rectangular prism.

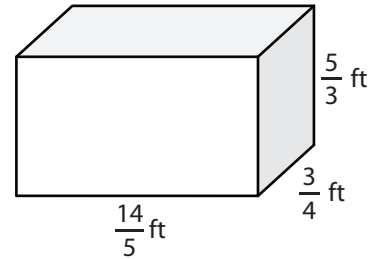
1)



2)




3)



4)

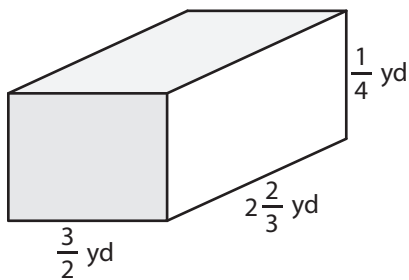
## Preview

Become a member to unlock  
unrestricted access to both printable  
and online worksheets.

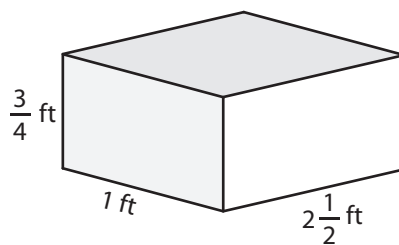


[www.tutoringhour.com](http://www.tutoringhour.com)

7)



8)



9)

