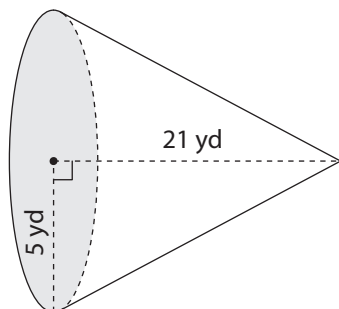


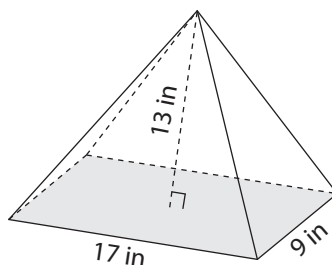
Volume of Cones and Pyramids

Find the volume of each shape. Round your answer to two decimal places. (Use 3.14 for π .)

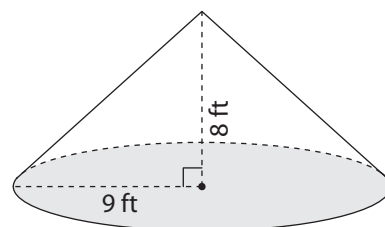
1)



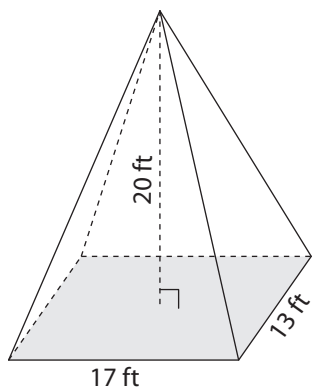
2)



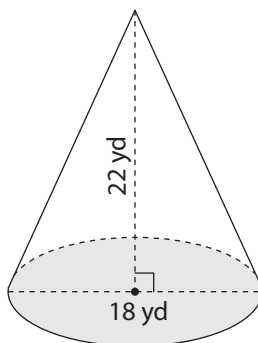
3)



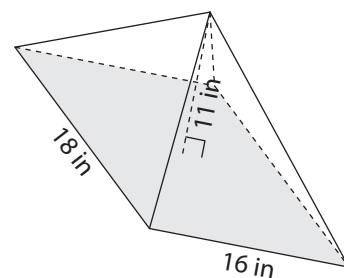
4)



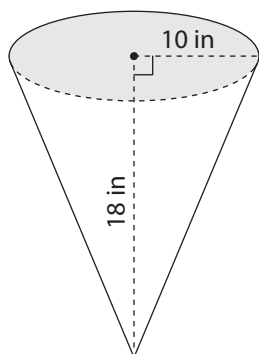
5)



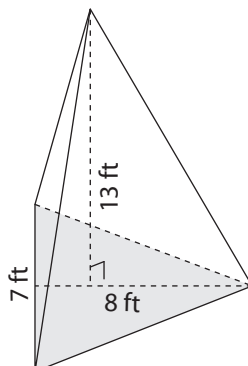
6)



7)



8)



9)

