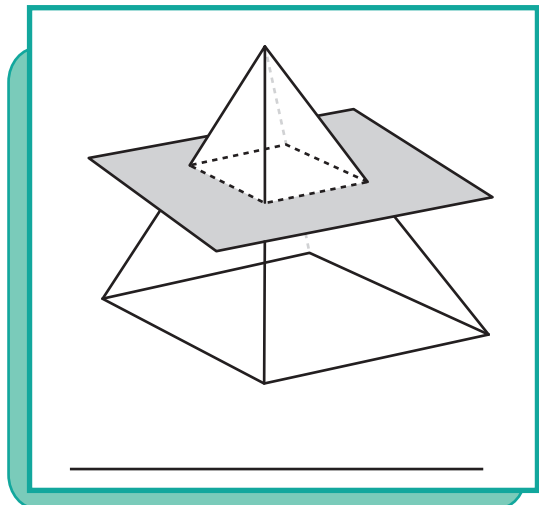


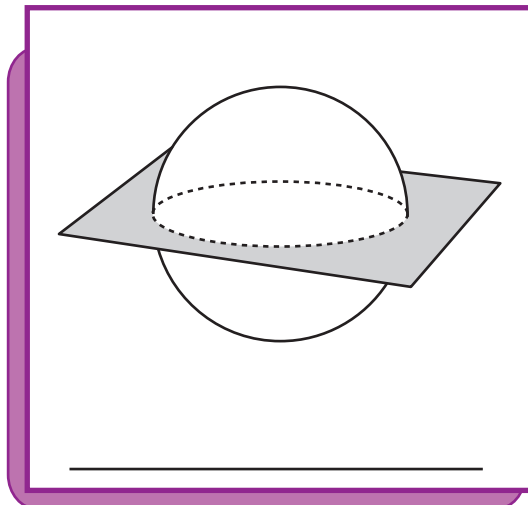
Cross Section of 3D Shapes

Identify and name the 2D shapes formed when you slice the following 3D figures.

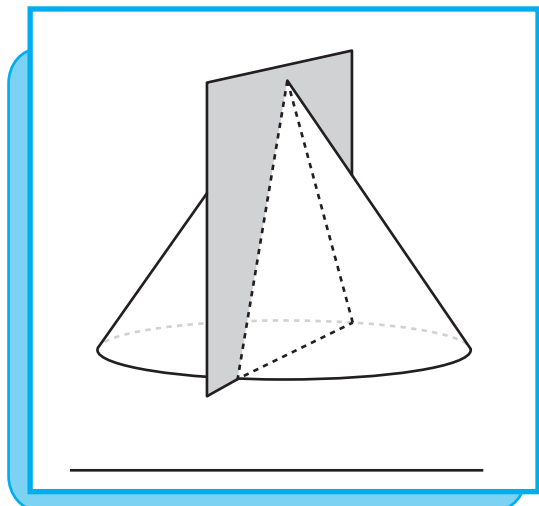
1)



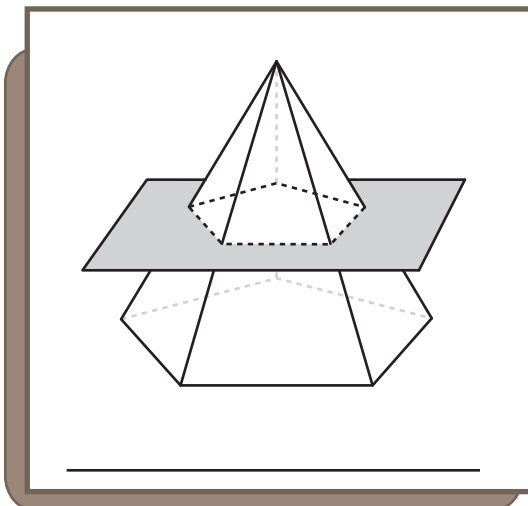
2)



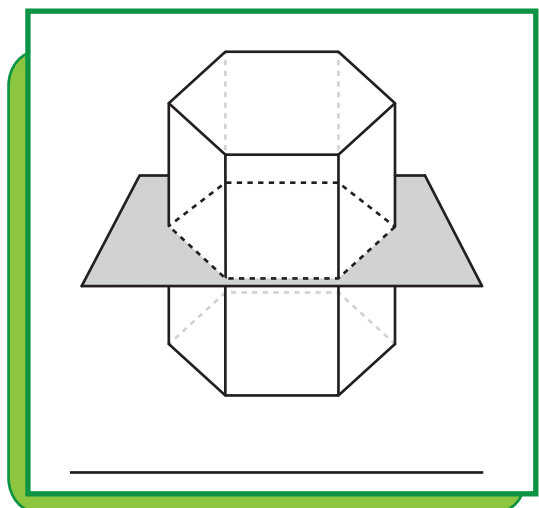
3)



4)



5)



6)

