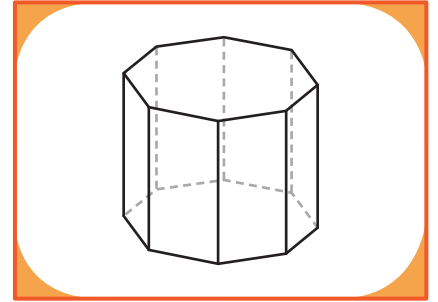
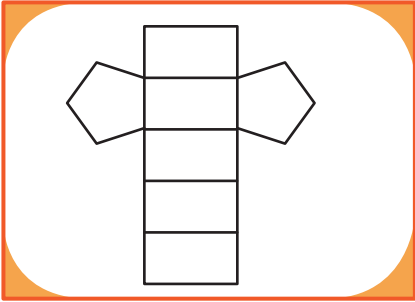


Matching Nets and 3D Shapes

Match each net to its corresponding 3D shape.

1)



2)

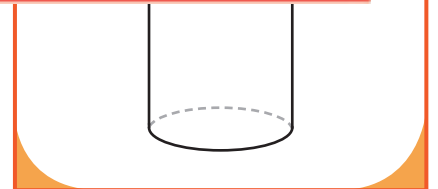
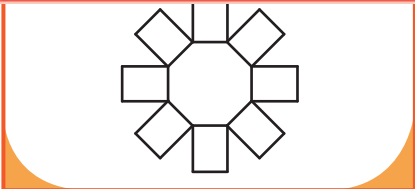
Preview

Become a member to unlock
unrestricted access to both printable
and online worksheets.

3)

4)

www.tutoringhour.com



5)

