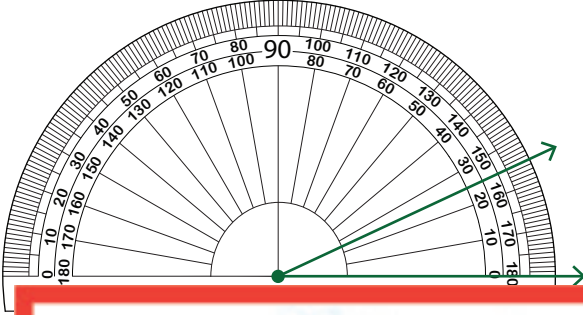


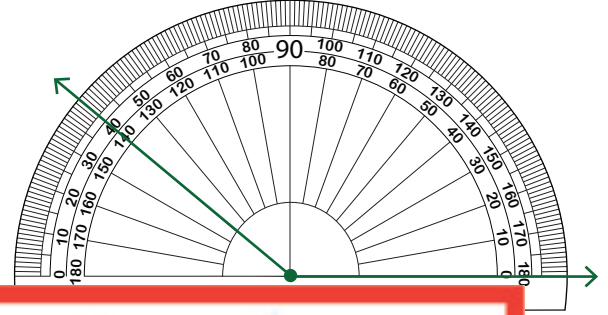
# Reading a Protractor | 5° Increments

Read each protractor and write the measure of the angle.

1)



2)



3)

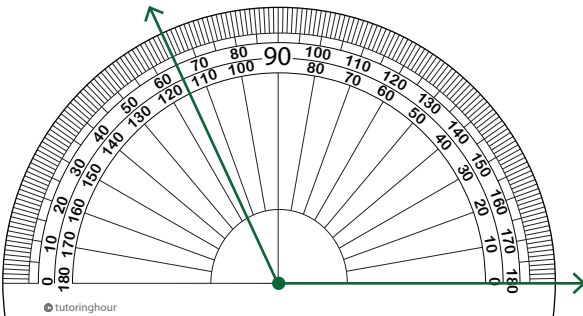
# Preview

Become a member to unlock  
unrestricted access to both printable  
and online worksheets.

www.tutoringhour.com



5)



6)

