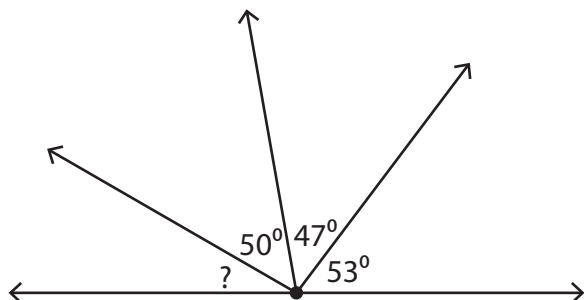


# Angles on a Straight Line

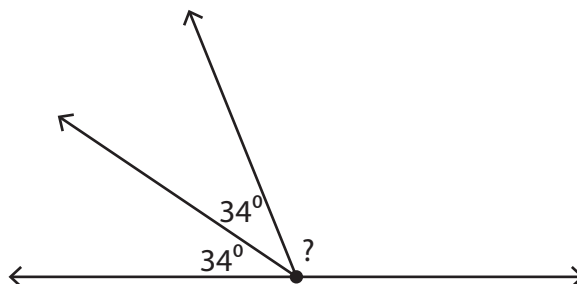
Find the measure of the unknown angle in each figure.

1)



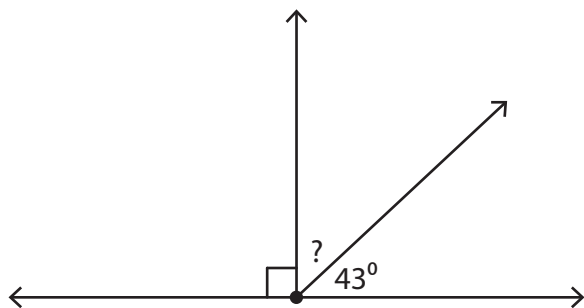
\_\_\_\_\_

2)



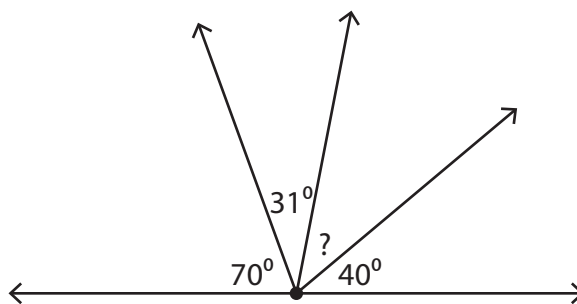
\_\_\_\_\_

3)



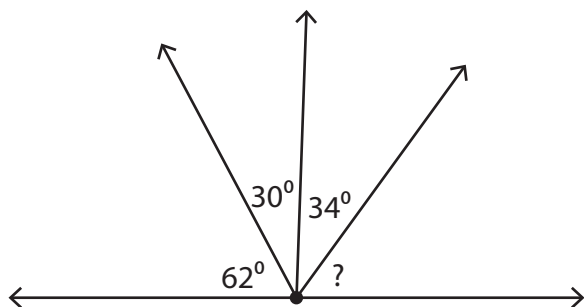
\_\_\_\_\_

4)



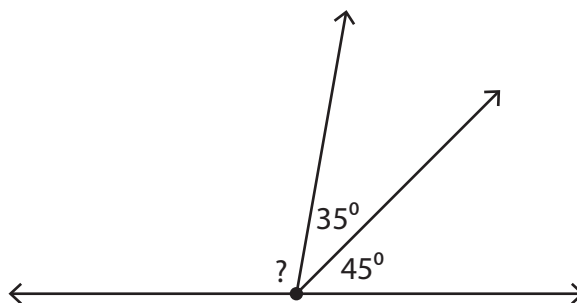
\_\_\_\_\_

5)



\_\_\_\_\_

6)



\_\_\_\_\_