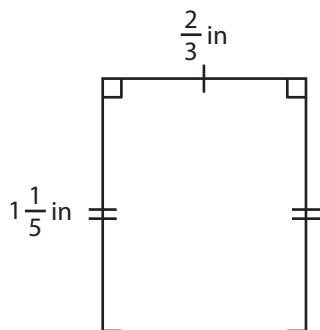


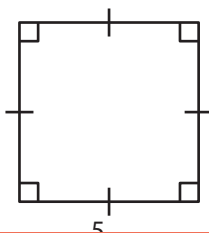
Area of a Quadrilateral

Find the area of each quadrilateral.

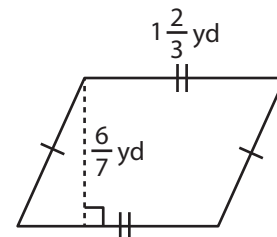
1)



2)



3)



Ar

Preview

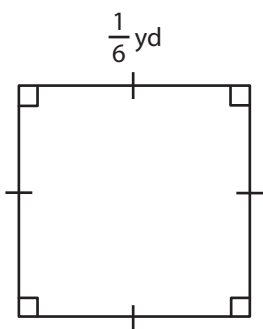
4)

Become a member to unlock
unrestricted access to both printable
and online worksheets.

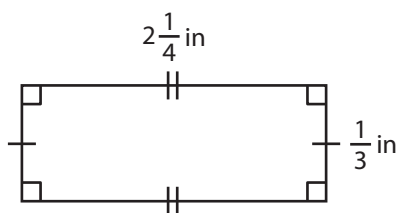
Ar

www.tutoringhour.com

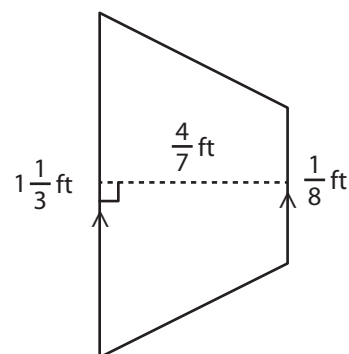
7)



8)



9)



Area = _____

Area = _____

Area = _____