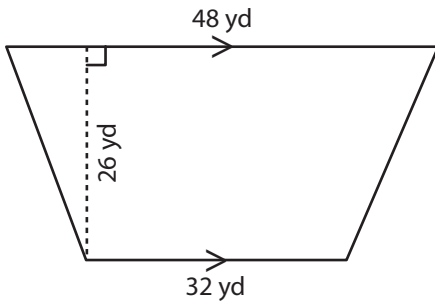


Area of a Quadrilateral

Answer Key

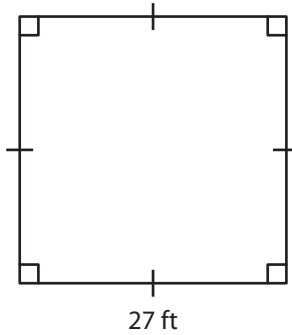
Find the area of each quadrilateral.

1)



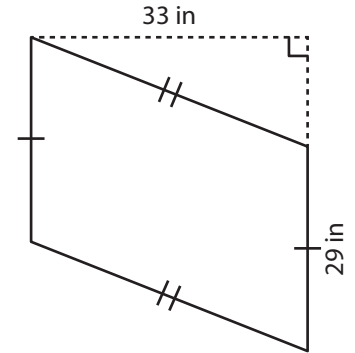
Area = 1,040 yd²

2)



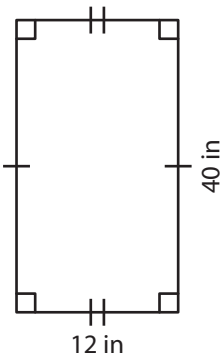
Area = 729 ft²

3)



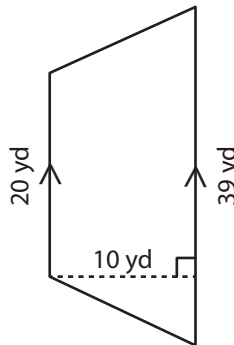
Area = 957 in²

4)



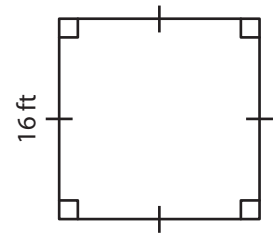
Area = 480 in²

5)



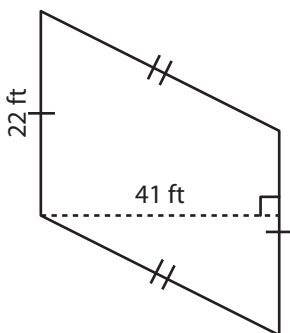
Area = 295 yd²

6)



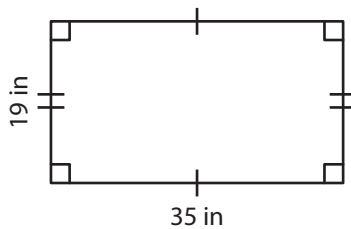
Area = 256 ft²

7)



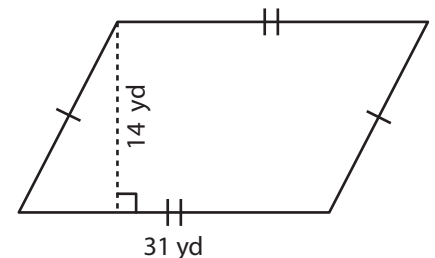
Area = 902 ft²

8)



Area = 665 in²

9)



Area = 434 yd²