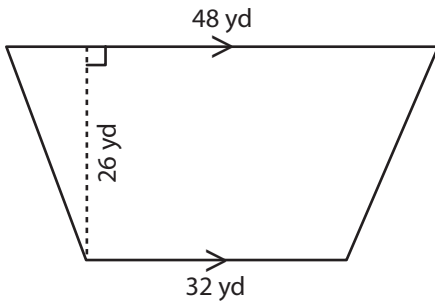


Area of a Quadrilateral

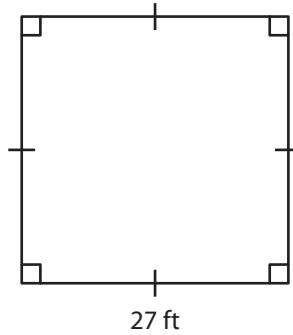
Find the area of each quadrilateral.

1)



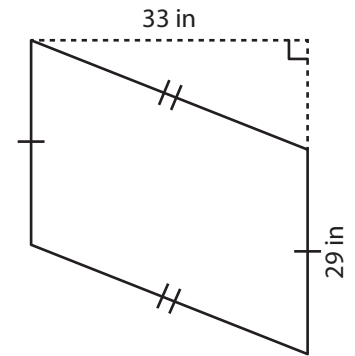
Area = _____

2)



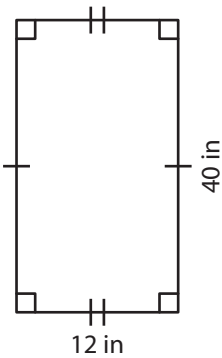
Area = _____

3)



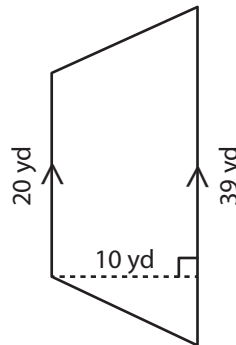
Area = _____

4)



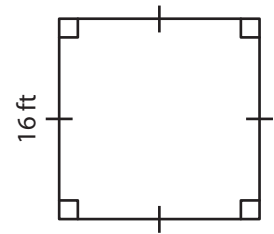
Area = _____

5)



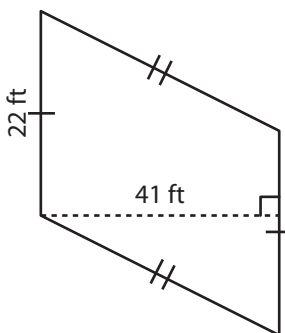
Area = _____

6)



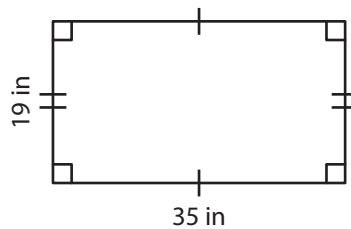
Area = _____

7)



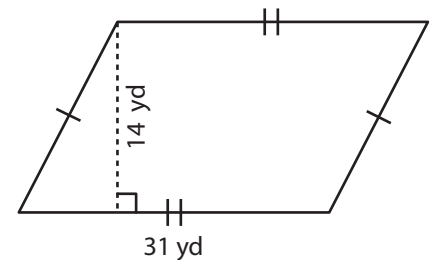
Area = _____

8)



Area = _____

9)



Area = _____